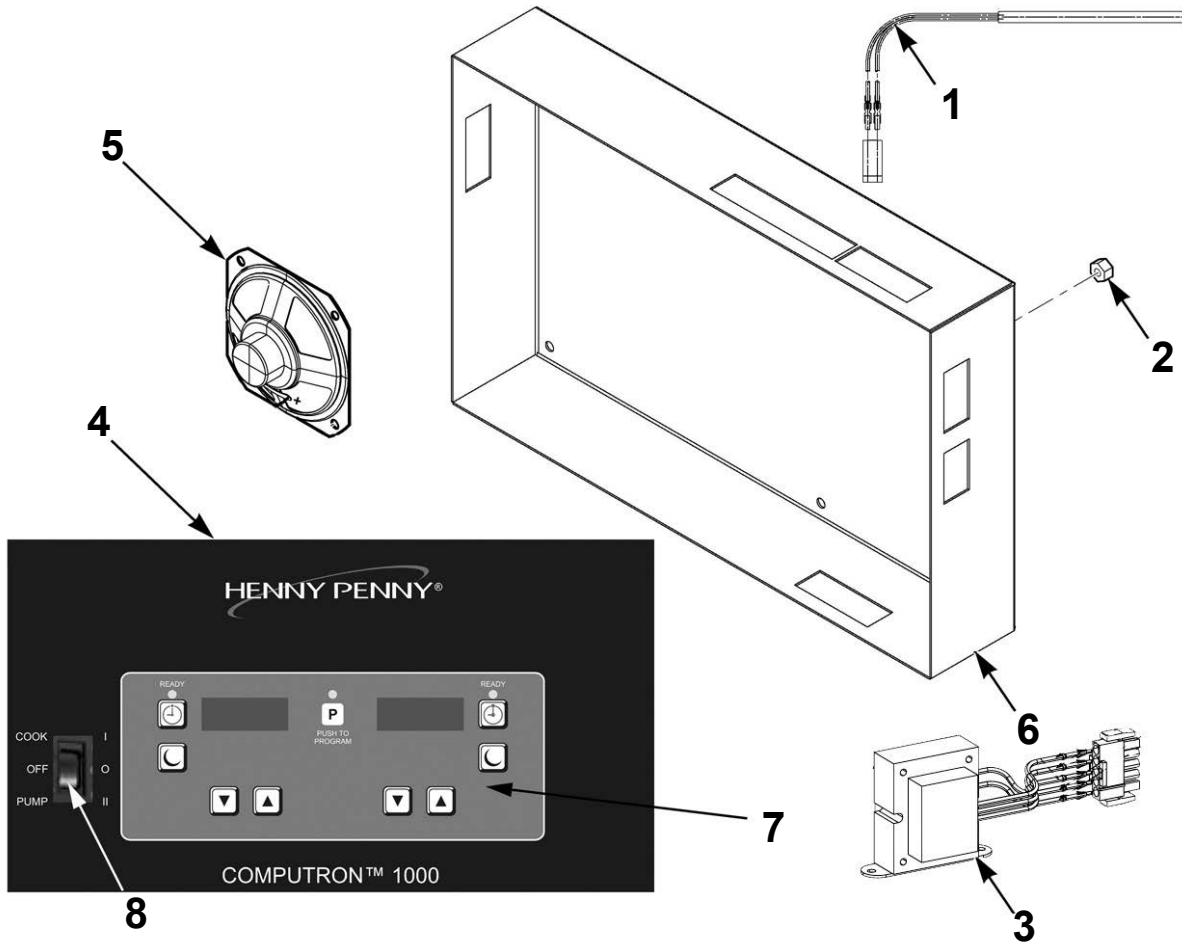


3-11. INDEX OF PARTS LIST ILLUSTRATIONS

Title	Fig. No.	Page No.
AUTOMATIC RESET TIMER ASSEMBLY	3-5	3-13
COMPUTRON C1000 CONTROL	3-1	3-6
COMPUTRON C2000 CONTROL	3-2	3-7
CONTACTOR and FRAME ASSEMBLY (Single Phase Electric Model)	3-25	3-56
CONTACTOR and FRAME ASSEMBLY (Three Phase Electric Model)	3-26	3-58
COUNTERTOP INSULATION ASSEMBLY (Gas Model).....	3-33	3-72
DEADWEIGHT VALVE ASSEMBLY.....	3-13	3-31
DIRECT-CONNECT ASSEMBLY - MODEL 500	3-20	3-48
DIRECT-CONNECT ASSEMBLY - MODEL 600	3-21	3-49
DRAIN VALVE ASSEMBLY (Electric Model)	3-15	3-35
DRAIN VALVE ASSEMBLY (Gas Model)	3-16	3-38
ELECTRIC CONDUIT ASSEMBLY	3-6	3-15
ELECTRONIC IGNITION ASSEMBLY	3-29	3-64
EXHAUST STACK ASSEMBLY.....	3-12	3-27
FAN and HIGH TEMPERATURE LIMIT CONTROL (Gas Model)	3-28	3-62
FAST CONTROL PANEL	3-3	3-8
FILTER DRAIN PAN and FILTER SCREEN ASSEMBLY	3-22	3-50
FILTER MOTOR and PUMP	3-19	3-46
FIREBOX and FLUE ASSEMBLY (Gas Model).....	3-34	3-74

3-11. INDEX OF PARTS LIST ILLUSTRATIONS (continued)

Title	Fig. No.	Page No.
FIREBOX INSULATION ASSEMBLY (Gas Model).....	3-35	3-76
FRAME and CABINET ASSEMBLY	3-7	3-17
FRY BASKET (Gas or Electric Model).....	3-9	3-23
FRYPOT and GAS BURNER ASSY - NON-CE, DOMESTIC, & ELECTRONIC IGNITION	3-30	3-66
GAS CONTROL VALVE	3-32	3-70
GAS LINE and BURNER ASSEMBLY - CE, INT'L, and ELECTRONIC IGNITION.....	3-31	3-68
HEATING ELEMENT and HIGH LIMIT ASSEMBLY (Electric Model).....	3-27	3-60
LID ASSEMBLY	3-8	3-21
LOWER FILTER PLUMBING COMPONENTS (Gas or Electric Model).....	3-17	3-40
SOLENOID VALVE ASSEMBLY (Gas or Electric Model)	3-14	3-33
STANDARD CONTROL PANEL.....	3-4	3-10
SUPERSORB FILTER ASSEMBLY - Before 3-1-02	3-23	3-53
SUPERSORB FILTER ASSEMBLY - 3-1-02 & After.....	3-24	3-55
UPPER FILTER PLUMBING COMPONENTS.....	3-18	3-43
3 TIER WIRE BASKET (Gas Model).....	3-10	3-25
4 TIER WIRE BASKET (Electric Model).....	3-11	3-26

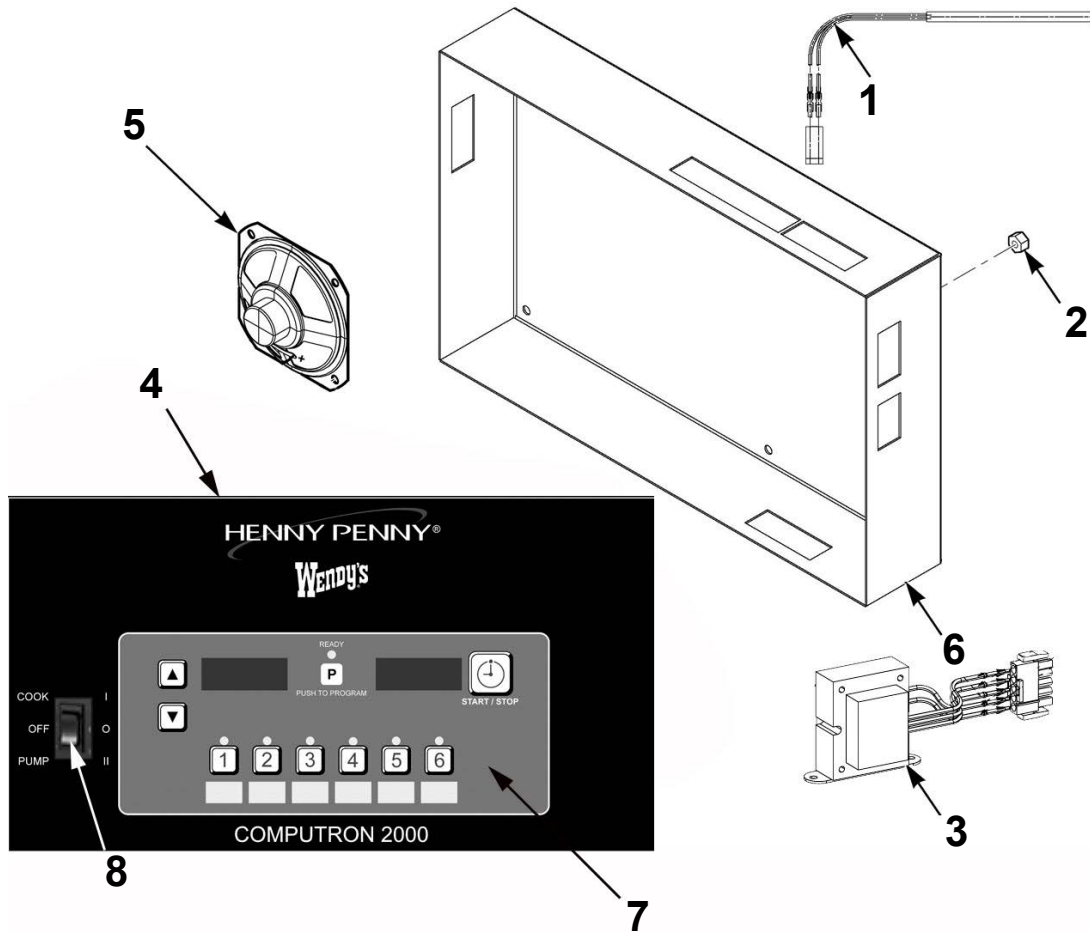


**Figure &
Item No.**

3-1

Item No.	Part No.	Description	Qty.
		COMPUTRON C1000 CONTROL	
	14952	KIT - 500/561 E/M TO C1000 RETROFIT	1
	14953	KIT - 600 E/M TO C1000 RETROFIT	1
	14956	KIT - 600 E/M TO C1000 RETROFIT-CANADA	1
	14957	KIT - 500/561 E/M TO C1000 RETROFIT-CANADA.....	1
	140013	KIT - C1000 120V 600SSI TO C8000	1
	140014	KIT - C1000 240V 600SSI TO C8000	1
√ 1	14993	KIT - PROBE - 6 INCH (GAS)	1
√ 1	14992	KIT - PROBE - 3 INCH (ELEC)	1
2	NS02-005	NUT - HEX KEPS - #6-32 C	11
√ 3	60536	ASSY - TRANSFORMER - 24V/230V	1
√ 3	60207	ASSY - TRANSFORMER - 24V/120V	1
√ 4	14954	ASSY - CONTROL - C1000	1
√ 4	14955	ASSY - CONTROL - C1000 - CANADA	1
√ 5	ME70-005	SPEAKER - 16 OHM - 2 INCH	1
6	78269	COVER - PCB	1
7	80275	DECAL - C1000 - CONTROL - GM	1
√ 8	29898	SWITCH - POWER	1
9*	53669	GUARD-POWER SWITCH	1

√ Recommended Parts / * not shown -- **Starting SNs: Gas - AN0807053 and Electric - AA0807051**



**Figure &
Item No.**
3-2

Item No.	Part No.	Description	Qty.
		COMPUTRON C2000 CONTROL	
	14896	KIT-500/600 E/M to C2000 WENDY'S RETROFIT.....	1
	14934	KIT-500/600 E/M to C2000 WENDY'S RETRO-CAN....	1
√ 1	14993	ASSY - PROBE - 6 INCH (GAS).....	1
√ 1	14992	ASSY - PROBE - 3 INCH (ELEC).....	1
2	NS02-005	NUT - HEX KEPS - #6-32 C.....	11
√ 3	60536	ASSY - TRANSFORMER - 24V/230V.....	1
√ 3	60207	ASSY - TRANSFORMER - 24V/120V.....	1
√ 4	14958	CONTROL - 500/600 C2000 WENDY'S FRYER.....	1
√ 4	14959	CONTROL-500/600 C2000 WENDY'S-CANADA....	1
√ 5	ME70-005	SPEAKER - 16 OHM - 2 INCH.....	1
6	78269	COVER - PCB.....	1
7	72123	DECAL - C2000 - WENDY'S.....	1
7	78962	DECAL - C2000 - WENDY'S - FRENCH.....	1
√ 8	29898	SWITCH - POWER.....	1
9*	53669	GUARD - POWER SWITCH.....	1
√ 10*	75820	MENU CARD - WENDY'S - C2000.....	1

√ Recommended Parts / * not shown -- Starting SNs: Gas - AN0801038 and Electric - AA0802059

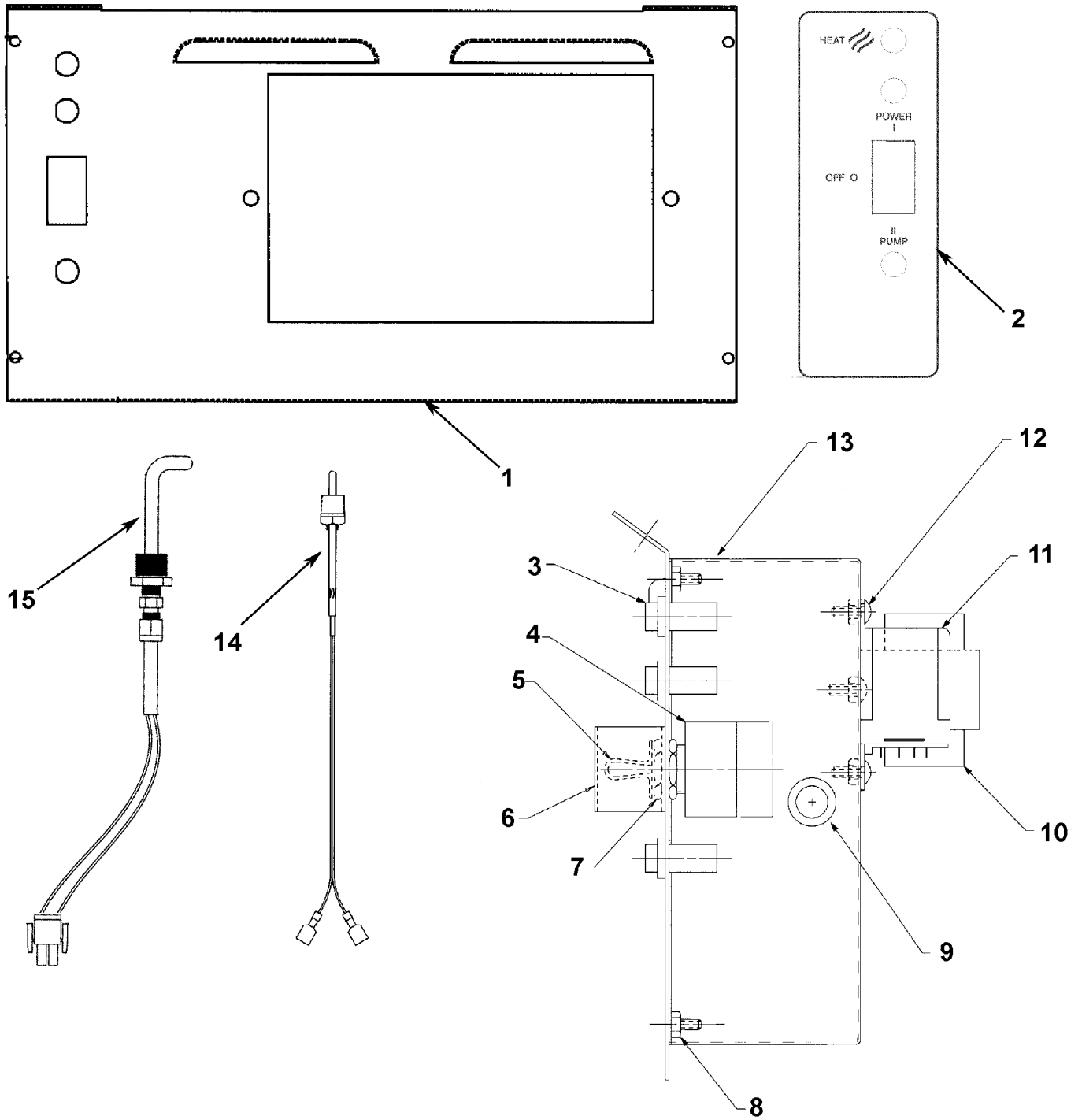


Figure 3-3. FAST Control Panel

FIGURE & ITEM NO.	PART NUMBER	DESCRIPTION	UNITS PER ASSY
3-3		FAST CONTROL PANEL	
1	51617	FAST CONTROL PANEL - 500 - 208-240V (KB020JJ & below)....	1
1	29938	FAST CONTROL PANEL - 500 - 380-415V (KB020JJ & below)....	1
1	63751	FAST CONTROL PANEL - 600-120V (KA021JJ to GA085JB).....	1
1	63224	FAST CONTROL PANEL - 500/600-240V (KB021JJ to HB013JB) (KA021JJ to GA085JB)	1
1	63225	FAST CONTROL PANEL CE- 500/600 (KB021JJ to HB013JB) (KA021JJ to GA085JB).....	1
1	27472	FAST CONTROL PANEL-600-100-120V (GA086JB & above).....	1
1	27423	FAST CONTROL PANEL-500/600-240V (HB014JB & above) (GA086JB & above)	1
1	27424	FAST CONTROL PANEL- CE-500/600 (HB014JB & above)..... (GA086JB & above)	1
2	44559	DECAL - FAST CONTROL - 500 (KB020JJ & below).....	1
2	61722	DECAL - FAST CONTROL - 500/600 (KB021JJ & above)..... (KA021JJ & above).....	1
√ 3	54085	LIGHT - CE INDICATOR, GREEN.....	3
√ 3	16624	LIGHT - INDICATOR, RED	3
√ 4	16640	SWITCH MAIN ASSY - 4 PDT (KB020JJ & below)	1
√ 4	29898	SWITCH - POWER (KB021JJ & above)	1
		(KA021JJ & above).....	
5	48369	SWITCH COVER - CE.....	1
6	18450	GUARD - SWITCH FRYER	1
7	NS03-018	NUT - 3/4-32 JAM	2
8	NS02-005	NUT HEX KEPS #6-32 C.....	10
9	EF02-002	BUSHING 33/64 P	1
√ 10	30614	TRANSFORMER - 208/240V PRI-24 VS.....	1
√ 10	35916	TRANSFORMER - 120V - 50/60 Hz	1
√ 11	30429	RELAY, 24V COIL - 15A@120V, 10A@240V (Shown)	1
√ 11*	60818	RELAY, 24V COIL - 10A@120V, 12A@240V	1
12	SC01-049	SCREW #6-32 X 3/8 PH PHD C	6
13	29921	BOX - SHIELD (KB020JJ & below).....	1
13	63336	COVER - CONTROL PANEL FAST(KB021JJ & above)..... (KA021JJ & above).....	1
√ 14	29948	ASSY - PROBE FAST - ELECTRIC	1
√ 15	29383	ASSY - PROBE FAST - GAS	1
16*	14908	KIT - 600 CONV FAST TO SMS INT	1

√ Recommended Parts
*not shown

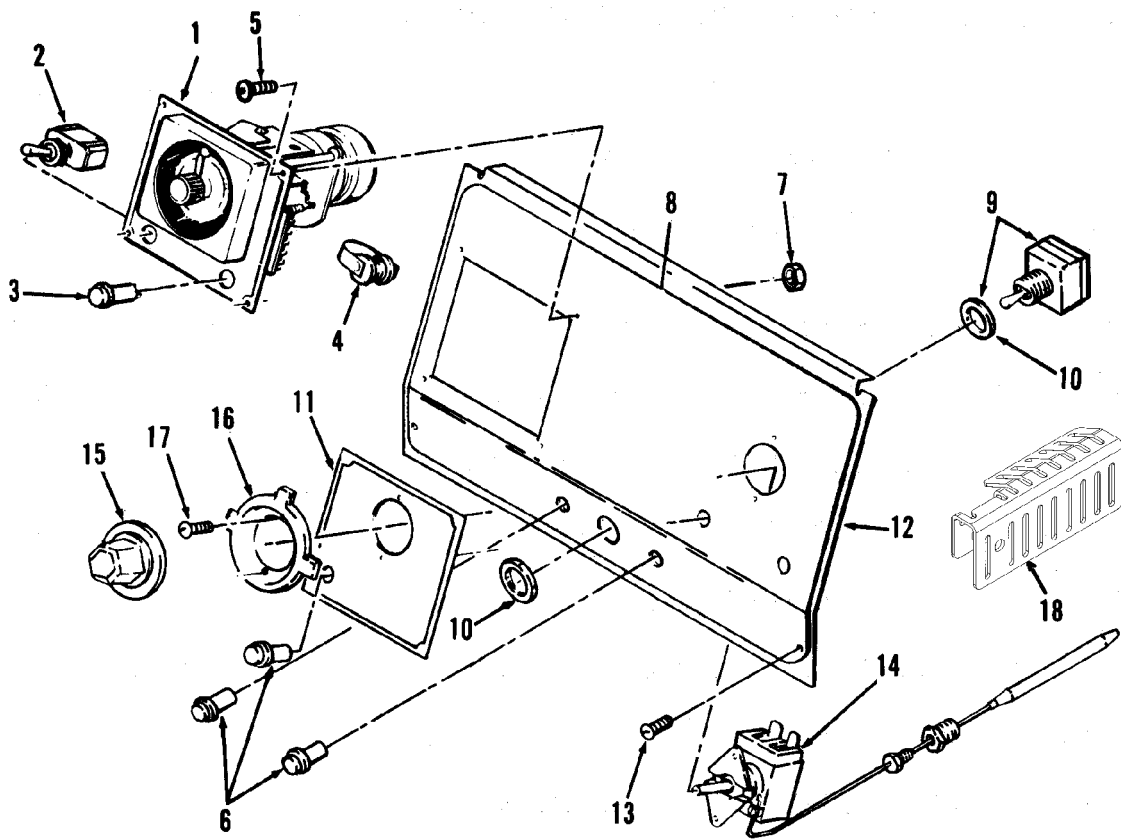


Figure 3-4. Standard Control Panel

FIGURE & ITEM NO.	PART NUMBER	DESCRIPTION	UNITS PER ASSY
3-4		STANDARD CONTROL PANEL	
	18425	ASSY, Control Panel Complete-Bent Panel - 500.....	1
	48185	ASSY, Control Panel Complete-Bent Panel - 561.....	1
	16675	ASSY, Control Panel Complete-Bent Panel - 600.....	1
√ 1	16602	TIMER ASSY, Automatic Reset, 115 Volt, 60 Hz.....	1
√ 1	16596	TIMER ASSY, Automatic Reset, 115 Volt, 50 Hz.....	1
√ 1	18301	TIMER ASSY, Automatic Reset, 208-240 Volt, 60 Hz.....	1
√ 1	18304	TIMER ASSY, Automatic Reset, 208-240 Volt, 50 Hz.....	1
√ 1	17366	TIMER ASSY, Automatic Reset, 208-240 Volt, 50 Hz - CE.....	1
√ 2	22195	SWITCH, Timer.....	1
√ 3	16624	LIGHT, Timer Indicator.....	1
√ 4	16659	COIL, Timer Buzzer, 115 Volt.....	1
√ 4	18302	COIL, Timer Buzzer, 220 Volt.....	1
4	14283	KIT, 600, Cont. 120 EM Buzzer.....	1
4	14284	KIT, 500/600, Cont. 230 EM Buzzer.....	1
4	14419	KIT, 500, Cont. 24 EM Buzzer.....	1
5	SC01-073	SCREW, Timer.....	4
√ 6	16624	LIGHT, Indicator.....	3
√ 6	63609	LIGHT, Indicator, Temperature - 48 Volt - Gas Models.....	1
√ 6	54086	LIGHT, Indicator, Green-CE and Australia - Gas Models.....	3
7	NS02-009	NUT, Timer.....	4
8		DECAL, Control - See chart on next page	1
√ 9	16640	SWITCH, Main.....	1
10	NS03-018	NUT, Main Switch.....	2
11	16745	PLATE, Thermostat.....	1
12		PANEL, Stud Assy - Control - See chart on next page	1
13	SC04-003	SCREW, Control Panel.....	2
√ 14a	18382	THERMOSTAT only, RS KX 365F Max.-CE-500/600.....	1
√ 14b	14293	KIT, Thermostat Control-600 (Includes items 15, 16, & 17).....	1
√ 14c	14648	KIT, Thermostat Control-500/561(Includes items 15, 16, 17, 18)..	1
15	16706	KNOB, Thermostat (Included in item 14b & 14c).....	1
16	16704	BEZEL, Thermostat (Included in item 14b & 14c).....	1
17	SC01-023	SCREW, Thermostat (Included in item 14b & 14c).....	2
18	65183	ASSY, Pot Capillary Guard - 500/561(Included in item 14c)..	1
19*	32927	WRAP, Thermostat Capillary.....	1
		FAST Controls (Also see pgs. 3-8 & 3-9 for exploded view & details)	
20*	61722	Decal - FAST Controls.....	1
√ 21*	29898	Power Switch.....	1
22*	18450	Guard - Power Switch.....	1
√ 23*	30429	Relay - 15A-125VAC, 10A-250VAC.....	1
√ 11	60818	Relay - 24V COIL (120V).....	1
√ 24*	30614	Transformer - 208/240 V - Pri 24 VS.....	1
√ 25*	54085	Indicator Light - Green - CE.....	3
26*	27472	Control Panel Assy. - FAST - 600 - 100-120V.....	1
26*	27423	Control Panel Assy. - FAST - 500/600 - 240V.....	1
√ 27*	29948	Temperature Probe - FAST - 500.....	1
√ 27*	29383	Temperature Probe - FAST - 600.....	1

√ Recommended Parts/* Not shown

Standard Control Panel

Serial Number	Description	500	561	600
KB020JJ & Below	Control Decal	64427	-	-
	Control Decal-Wendy's	61570	-	-
	Control Decal-Pollo Campero	61572	-	-
	Control Panel Stud Assy	18439	-	-
KB029JJ & Below	Control Decal	-	64428	-
	Control Panel Stud Assy	-	17524	-
KA020JJ & Below	Control Decal	-	-	64429
	Control Decal-Wendy's	-	-	61571
	Control Decal-Pollo Campero	-	-	61580
	Control Decal-Pollo Campero-CE	-	-	61754
	Control Panel Stud Assy	-	-	16701
KB021JJ to HB013JB	Control Decal	61554	-	-
	Control Decal-Wendy's	61570	-	-
	Control Decal-Pollo Campero	61572	-	-
	Control Panel Stud Assy	63230	-	-
KB030JJ to HB016JB	Control Decal	-	61709	-
	Control Panel Stud Assy	-	63230	-
KA021JJ to GA085JB	Control Decal	-	-	61555
	Control Decal-Wendy's	-	-	61571
	Control Decal-Pollo Campero	-	-	61580
	Control Panel Stud Assy	-	-	63230
	Control Decal-Pollo Campero-CE	-	-	61754
HB014JB & Above	Control Decal	61554	-	-
	Control Decal-Wendy's	61570	-	-
	Control Decal-Pollo Campero	61572	-	-
	Control Panel Stud Assy	27396	-	-
HB017JB & Above	Control Decal	-	61709	-
	Control Panel Stud Assy	-	27396	-
GA086JB & Above	Control Decal	-	-	61555
	Control Decal-Wendy's	-	-	61571
	Control Decal-Pollo Campero	-	-	61580
	Control Decal-Pollo Campero-CE	-	-	61754
	Control Panel Stud Assy	-	-	27396

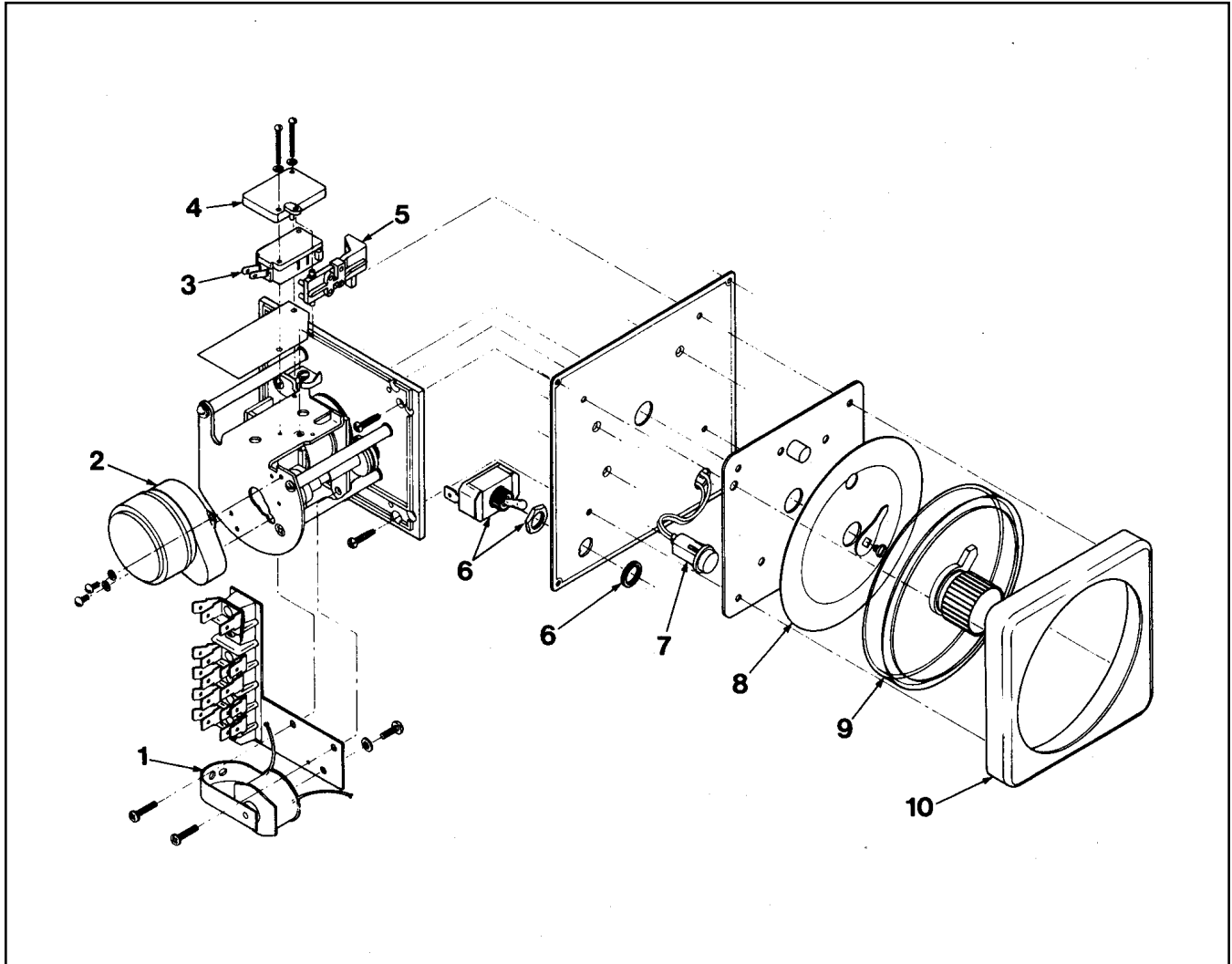


Figure 3-5. Automatic Reset Timer Assembly

FIGURE & ITEM NO.	PART NUMBER	DESCRIPTION	UNITS PER ASSY
3-5		AUTOMATIC RESET TIMER ASSEMBLY	
√ 1	16659	BUZZER COIL ASSY, 120 V.....	1
√ 1	18302	BUZZER COIL ASSY, 208-240 V.....	1
√ 2	16673	TIMER MOTOR, 120 V.....	1
√ 2	18303	TIMER MOTOR, 208-240 V.....	1
√ 3	16671	TIMER MICROSWITCH.....	1
√ 4	18771	MICROSWITCH MOUNTING PLATE.....	1
√ 5	18772	MICROSWITCH ACTUATOR ARM.....	1
√ 6	22195	ON/OFF SWITCH (includes nut).....	1
√ 7	16624	INDICATOR LIGHT.....	1
√ 9	16371	KNOB & POINTER ASSY.....	1
√ 10	16657	BEZEL.....	1

√ Recommended Parts

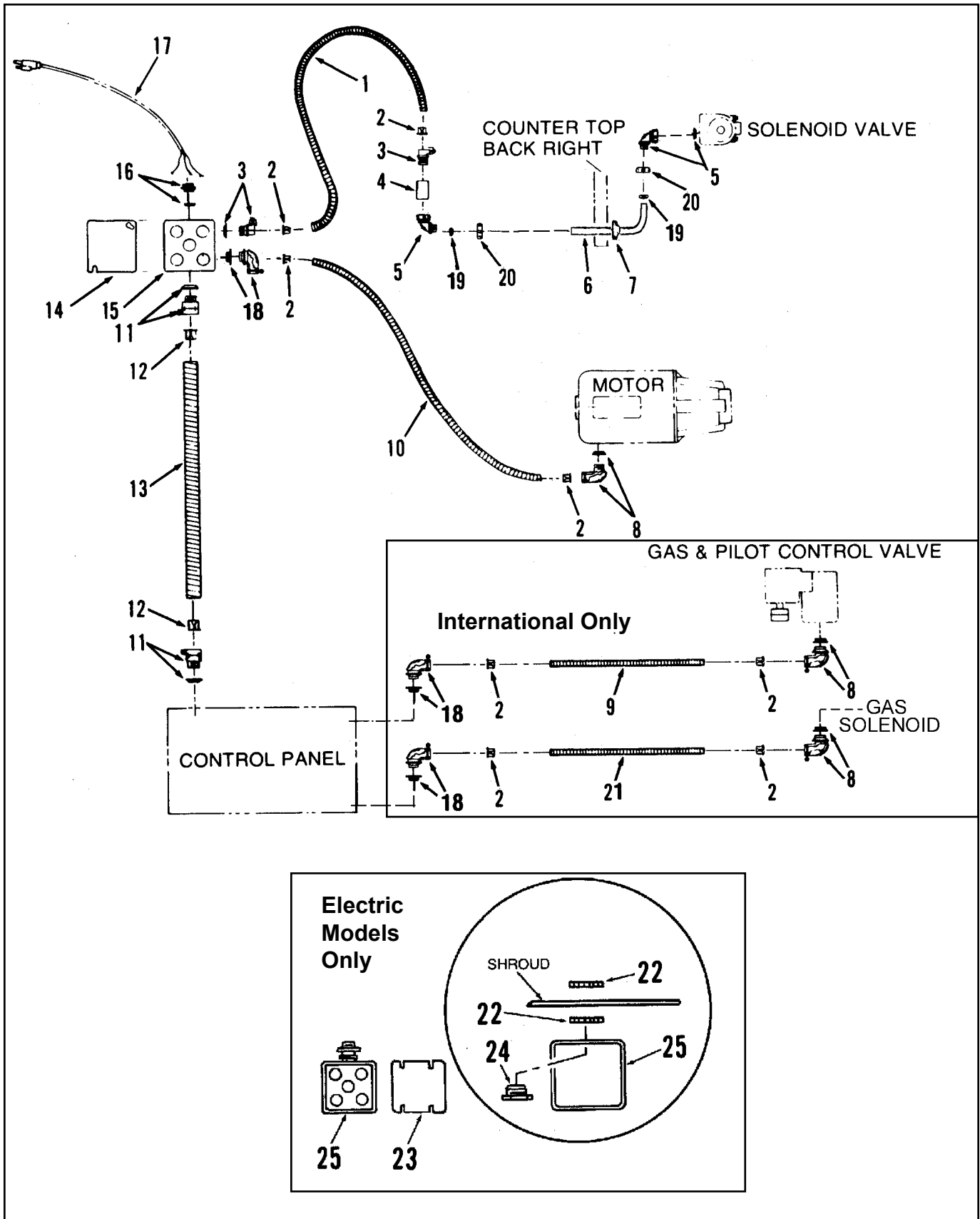


Figure 3-6. Electric Conduit Assembly

FIGURE & ITEM NO.	PART NUMBER	DESCRIPTION	UNITS PER ASSY
3-6		ELECTRIC CONDUIT ASSEMBLY	
1	18527	CONDUIT, Flexible.....	1
2	18105	BUSHING, Anti Short	8
3	18111	CONNECTOR, Conduit	2
4	FP01-018	COUPLING, Pipe	1
5	18113	CONNECTOR, Conduit, 90°	2
6	59218	TUBE, Conduit - Solenoid.....	1
7	16804	GROMMET, Umbrella	1
8	18107	CONNECTOR, Conduit, 90°	1
9	17221	CONDUIT, Flexible	1
9	33866	CONDUIT, Flexible-CE and Australia	1
10	30291	CONDUIT, Flexible	1
11	18104	CONNECTOR, Conduit	2
12	18108	BUSHING, Anti Short	2
13	33628	CONDUIT, Flexible	1
14	18101	COVER, Junction Box	1
15	18102	BOX, Junction	1
15	54965	BOX, Junction w/cover-Splash Proof - CE and Australia ..	1
16	18103	CONNECTOR, Power Cord	1
17	53656	CORD, Power, With Grounded Plug - Gas Models only...	1
17	34823	CORD, Power-CE and Australia - Gas Models only	1
18	18644	CONDUIT CONNECTOR	1
19	16817	SLEEVE, Teflon.....	2
20	16809	NUT, Fitting.....	2
21	44814	CONDUIT, Flexible.....	1
22	19617	NUT, Lock, 3/4 inch	2
23	19708	COVER, Junction Box.....	1
23	44485	COVER, Junctn. Box, Water Tight, CE & Australia (500).	1
23	32779	COVER, Junction Box, Water Tight, CE (600)	1
24	19616	NIPPLE, 3/4 inch Chase	1
25	19707	BOX, Main Power Junction.....	1
25	48437	BOX, Junction, Water Tight -CE (model 500).....	1
25	32740	BOX, Junction, Water Tight -CE (model 600).....	1
√26*	51390	EMC Filter Assy.-CE and Australia	1
27*	19923	TRANSFORMER, Large - 480 Volt.....	1

√ Recommended Parts

*not shown

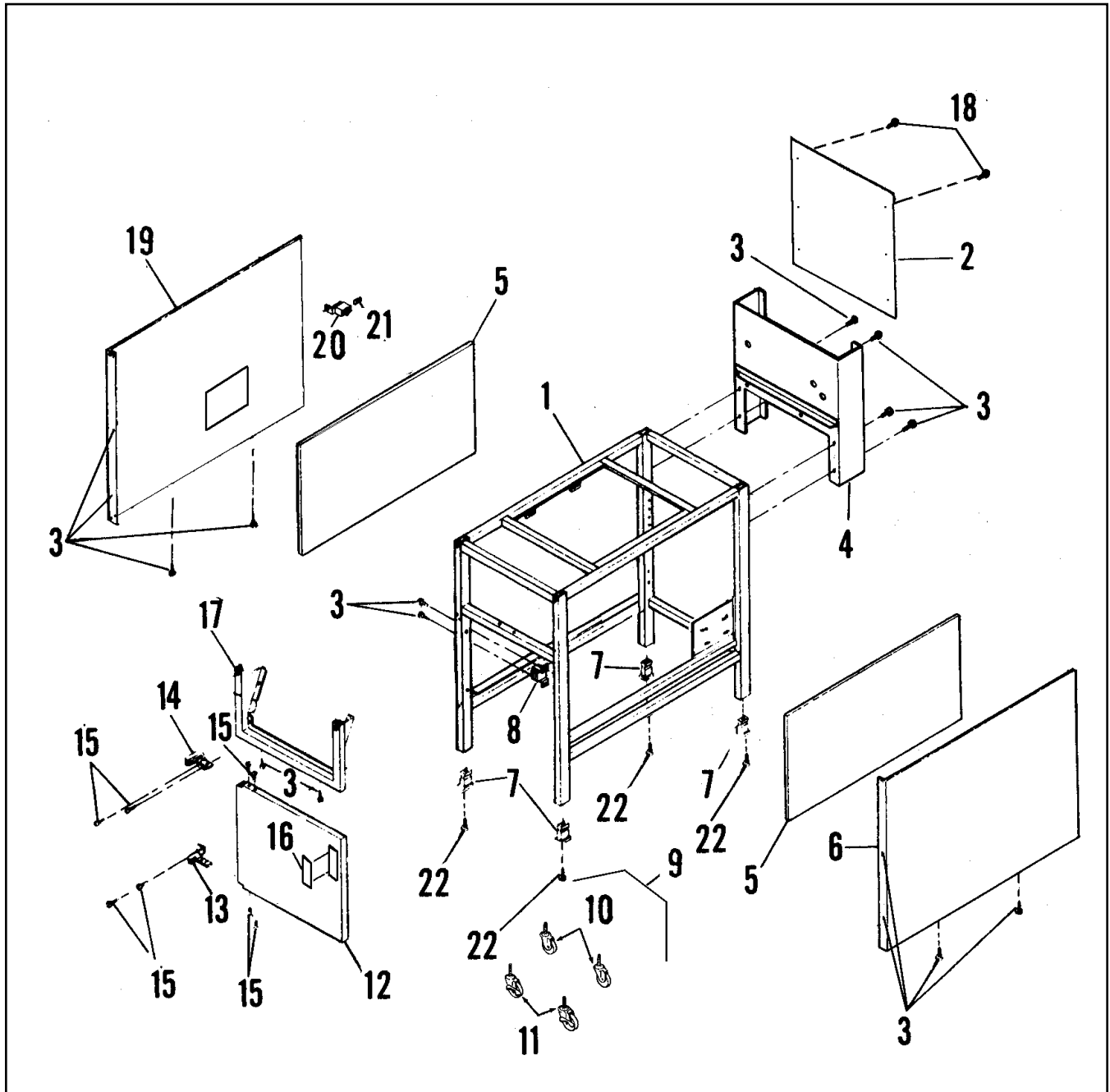


Figure 3-7. Frame and Cabinet Assembly

FIGURE & ITEM NO.	PART NUMBER	DESCRIPTION	UNITS PER ASSY
3-7		FRAME AND CABINET ASSEMBLY	
1		FRAME ASSEMBLY- See chart on next page	1
2		COVER, Back Shroud- See chart on next page	1
3	SC03-005	SCREW, Panels and Bracket, Sheet Metal	22
4		SHROUD ASSEMBLY- See chart on next page	1
5	59730	INSULATION, Side Panel, (Gas only).....	2
5	59732	INSULATION, Side Panel - CE (Gas only)	2
6		PANEL, Right Side, SS - See chart on next page	1
6	24255	PANEL, Right Side, - CE and Australia (Gas only) (KA021JJ & above)	1
7	54225	INSERT, Aluminum Feet - 1 in. x 1 in.....	4
7	17612	INSERT, Aluminum Feet - 1 in. x 1-1/2 in.	4
8	59230	BRACKET, Magnetic Catch.....	1
8	17002	MAGNET	1
9	03007	CASTER, Assembly	1
10	17630	CASTER, Less Brake	2
11	17629	CASTER, w/Brake	2
12	17639	DOOR ASSY, Complete (KB020JJ & below-elec)	1
		(KA020JJ & below-gas)	
12	58849	DOOR ASSY, Complete (KB021JJ & above-elec)	1
		(KA021JJ & above-gas)	
13	17620	HINGE, Bottom Door.....	1
14	17618	HINGE, Top Door.....	1
15	SC01-072	SCREW, Door Hinge	8
16	41836	HANDLE, Door	1
17		PANEL, Frt, SS - See chart on next page	1
18	SC04-003	SCREW, Back Shroud	6
19		PANEL, Side Left, SS- See chart on next page	1
19	24254	PANEL, Side Left,- CE and Australia (Gas only)..... (KA021JJ & above)	1
20	17627	LUG, Grounding.....	1
21	17611	SCREW, Grounding Lug	1
22	SC01-143	5/8-18x4 Hex Hd (bright finish) (adjust. legs).....	4
22	SC01-067	5/8-18x3-1/4 Hex Hd (black finish) (adjust. legs)	4
23*	NS03-050	NUTSERT, #8-32 Steel CAD Plated (hinge nutserts) ..	4
24*	SC01-234	SCREW, #8-32x1/2 PH Flat Hd (Door to Frame)	4

* not shown

Frame and Cabinet Assembly

Serial Number	Description	500	561	600
KB020JJ & Below	Front Panel	17602	-	-
	Frame Assy(short)	N/A	-	-
	Frame Assy(long)	N/A	-	-
	Right Side Panel	17606	-	-
	Left Side Panel	17604	-	-
KB029JJ & Below	Front Panel	-	17602	-
	Frame Assy(short)	-	N/A	-
	Frame Assy(long)	-	N/A	-
	Right Side Panel	-	48047	-
	Left Side Panel	-	17604	-
KA020JJ & Below	Front Panel	-	-	17602
	Back Shroud Cover	-	-	17346
	Shroud Assy	-	-	18740
	Frame Assy(short)	-	-	N/A
	Frame Assy(long)	-	-	N/A
	Right Side Panel	-	-	17606
	Left Side Panel	-	-	17604
KB021JJ to HB013JB	Back Shroud Cover	64255	-	-
	Shroud Assy	67900	-	-
	Front Panel	56974		
	Frame Assy(long)	64018	-	-
	Frame Assy(short)	64017		
	Right Side Panel	56972	-	-
	Left Side Panel	56973	-	-
KB030JJ to HB016JB	Back Shroud Cover	-	64255	-
	Shroud Assy	-	67900	-
	Front Panel	-	56974	-
	Frame Assy(long)		64018	
	Frame Assy(short)		64017	
	Right Side Panel	-	56972	
	Left Side Panel	-	56973	
KA021JJ to GA085JB	Back Shroud Cover	-	-	64255
	Shroud Assy	-	-	67900
	Front Panel	-	-	56974
	Frame Assy(long)			64018
	Frame Assy(short)			64017
	Right Side Panel	-	-	56972
	Left Side Panel		-	56973

(Continued on following page)

Frame and Cabinet Assembly

Serial Number	Description	500	561	600
HB014JB & Above	Back Shroud Cover	24534	-	-
	Shroud Assy	67900	-	-
	Front Panel	83195	-	-
	Frame Assy(short)	23679	-	-
	Frame Assy(long)	26854	-	-
	Right Side Panel	56972	-	-
	Left Side Panel	56973	-	-
	HB017JB & Above	Back Shroud Cover	-	24534
Shroud Assy		-	67900	-
Front Panel		-	83195	-
Frame Assy(short)		-	23679	-
Frame Assy(long)		-	26854	-
Right Side Panel		-	56972	-
Left Side Panel		-	56973	-
GA086JB & Above		Back Shroud Cover	-	-
	Shroud Assy	-	-	67900
	Front Panel	-	-	83195
	Frame Assy(short)	-	-	23679
	Frame Assy(long)	-	-	26854
	Right Side Panel	-	-	56972
	Left Side Panel	-	-	56973

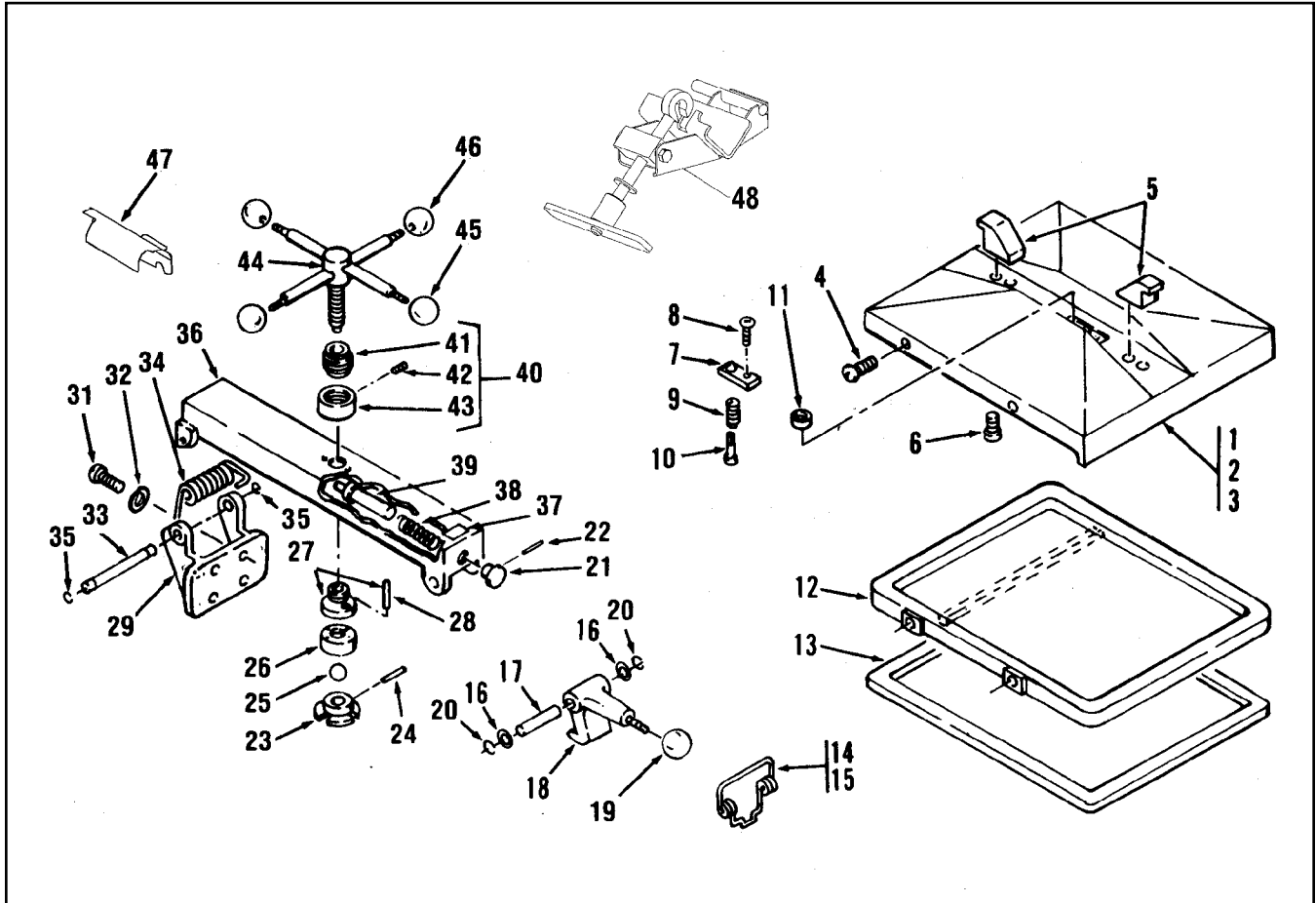


Figure 3-8. Lid Assembly

FIGURE & ITEM NO.	PART NUMBER	DESCRIPTION	UNITS PER ASSY
3-8		LID ASSEMBLY	
1	16170	LID ASSEMBLY	1
2	16169	COVER ASSEMBLY	1
3	16155	COVER, Lid	1
4	SC01-083	SCREW, Lid Cover	4
5	16133	HOOK, Cover Retaining	2
6	SC06-027	SCREW, Retaining Hook	4
7	16166	RETAINER	1
8	SC06-010	SCREW, Retaining Hook (Allen Head)	1
9	16165	SPRING, Return	1
10	16164	PIN, Locking	1
11	16163	BALL, Seat	1

FIGURE & ITEM NO.	PART NUMBER	DESCRIPTION	UNITS PER ASSY
3-8 Cont'd.			
12	16119	LINER, Inner Lid.....	1
√ 13	16120	GASKET, Reversible, Inner Lid Liner.....	1
√ 14	16199	KIT, Latch Spring.....	1
15	33480	SPRING.....	1
16	16198	SPACER.....	2
17	16197	PIN, Latch.....	1
√ 18	16116	LATCH, Lid.....	1
19	16102	KNOB, Latch.....	1
20	16121	RING, Tru-Arc Latch.....	2
21	16137	KNOB, Retaining Pin.....	1
22	16138	PIN, Knob Roll.....	1
23	16157	COLLAR, Locking.....	1
23	27325	COLLAR, Locking - CE.....	1
24	16158	PIN, Locking Collar.....	1
24	27351	PIN, Locking Collar - CE.....	1
25	16159	BALL, Thrust.....	1
26	27326	NUT, Idle.....	1
27	27329	NUT, Acme.....	1
28	16162	PIN, Acme Nut.....	2
√ 29	16112	HINGE, Lid Assembly.....	1
31	SC01-081	SCREW, Lid Hinge.....	4
32	LW01-010	WASHER, Lock, Lid Hinge.....	4
33	16110	PIN, Lid Hinge.....	1
√ 34	75293	HINGE, Lid Spring.....	1
35	16111	RING, Retainer, Tru-Arc, Hinge.....	2
36	16154	BAR, Center Cross.....	1
36	26884	BAR, Center Cross - CE.....	1
37	36099	DECAL, DANGER.....	1
38	16136	SPRING, Retaining Pin.....	1
39	16135	COVER, Retaining Pin.....	1
40	16171	STOP, Limit Assembly.....	1
41	16153	STOP, Limit.....	1
42	16156	SCREW, Set, Limit Stop Collar.....	2
43	16152	COLLAR, Limit Stop.....	2
44	16168	SPINDLE ASSEMBLY.....	1
44	26911	SPINDLE ASSEMBLY - CE.....	1
45	16102	KNOB, Spindle, Red.....	1
46	16101	KNOB, Spindle, Black.....	3
47	29587	COVER, Spring.....	1
√ 48	14960	KIT, Spring Loading Tool.....	1

√ Recommended Parts

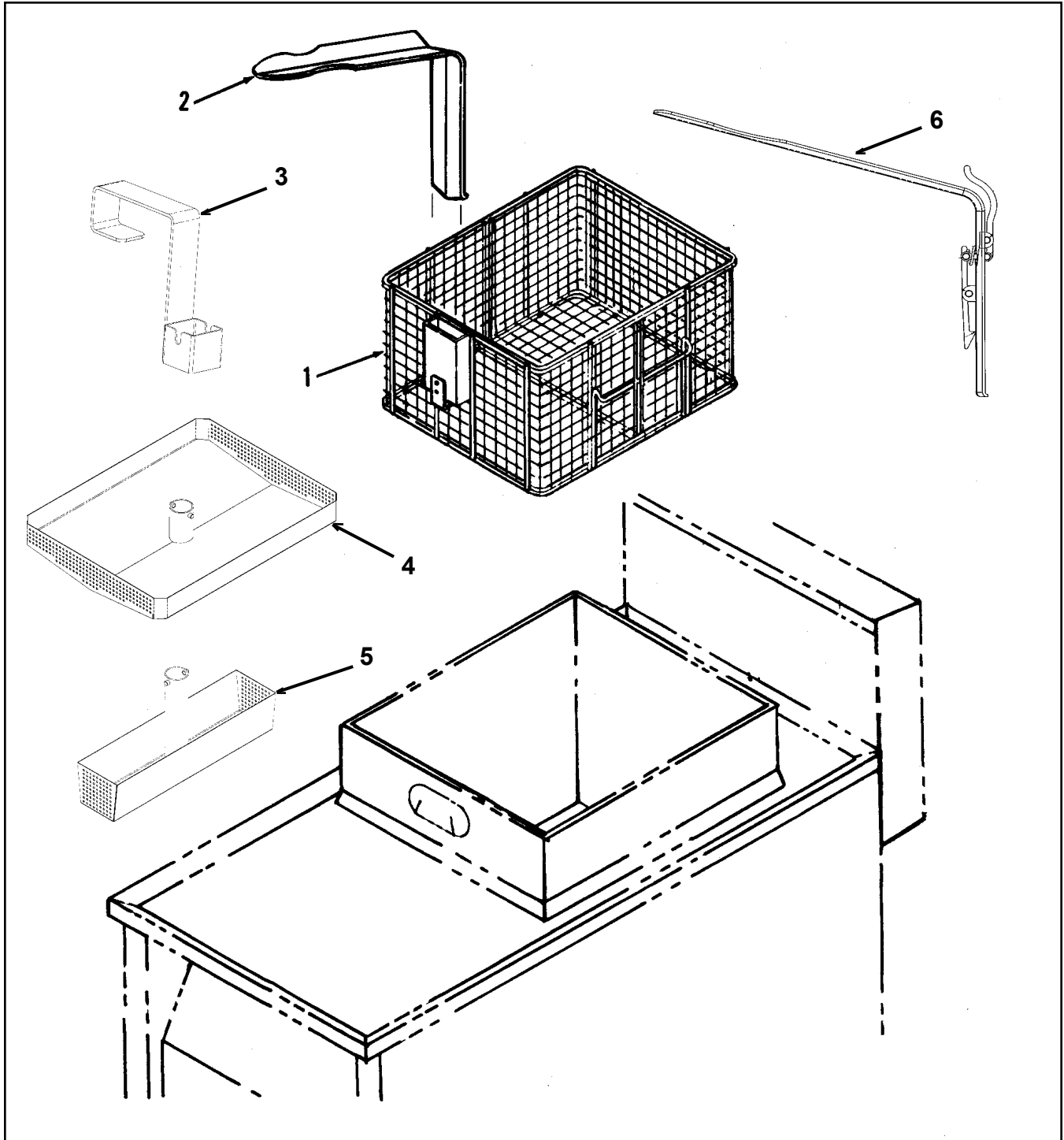


Figure 3-9. Fry Basket (Gas or Electric Model)

FIGURE & ITEM NO.	PART NUMBER	DESCRIPTION	UNITS PER ASSY
3-9		FRY BASKET (Gas or Electric Model)	
1	56075	BASKET, Model 561	1
1	55424	BASKET, Full Basket w/Bail Handle - Model 561	1
1	17801	BASKET, Without Legs, Gas Model Only	1
1	19501	BASKET, With Legs, Electric Model Only	1
1	19507	BASKET, Expanded - PFE500	1
2	19502	HANDLE	1
2	48115	HANDLE, Basket - Model 561	1
3	24438	ASSY, Weld-Crumb Basket Handle.....	1
4	03357	ASSY, Weld-Crumb Pan/Tube-PFE-500 w/Handle.....	1
4	03363	ASSY, Weld-Crumb Pan/Tube-PFE-561 w/Handle.....	1
5	03397	ASSY, Weld-Crumb Pan/Tube-PFG-600 w/Handle	1
6	64071	HANDLE, Locking Assembly	1
7*	19535	1/2 SIZE BASKET Support - Model 500/600	1
7*	73037	1/2 SIZE Basket Support - Model 500.....	1
8*	19509	1/2 SIZE Basket - Model 500/600	2
8*	73025	1/2 SIZE Basket - Model 500	2
8*	71371	BASKET, Chicken Filet (McDs) - Model 500	1
8*	72009	BASKET, Chicken Filet (McDs) - Model 600	1
9*	72294	INSERT, Drop-in Fillet Basket (McDs).....	1

* not shown

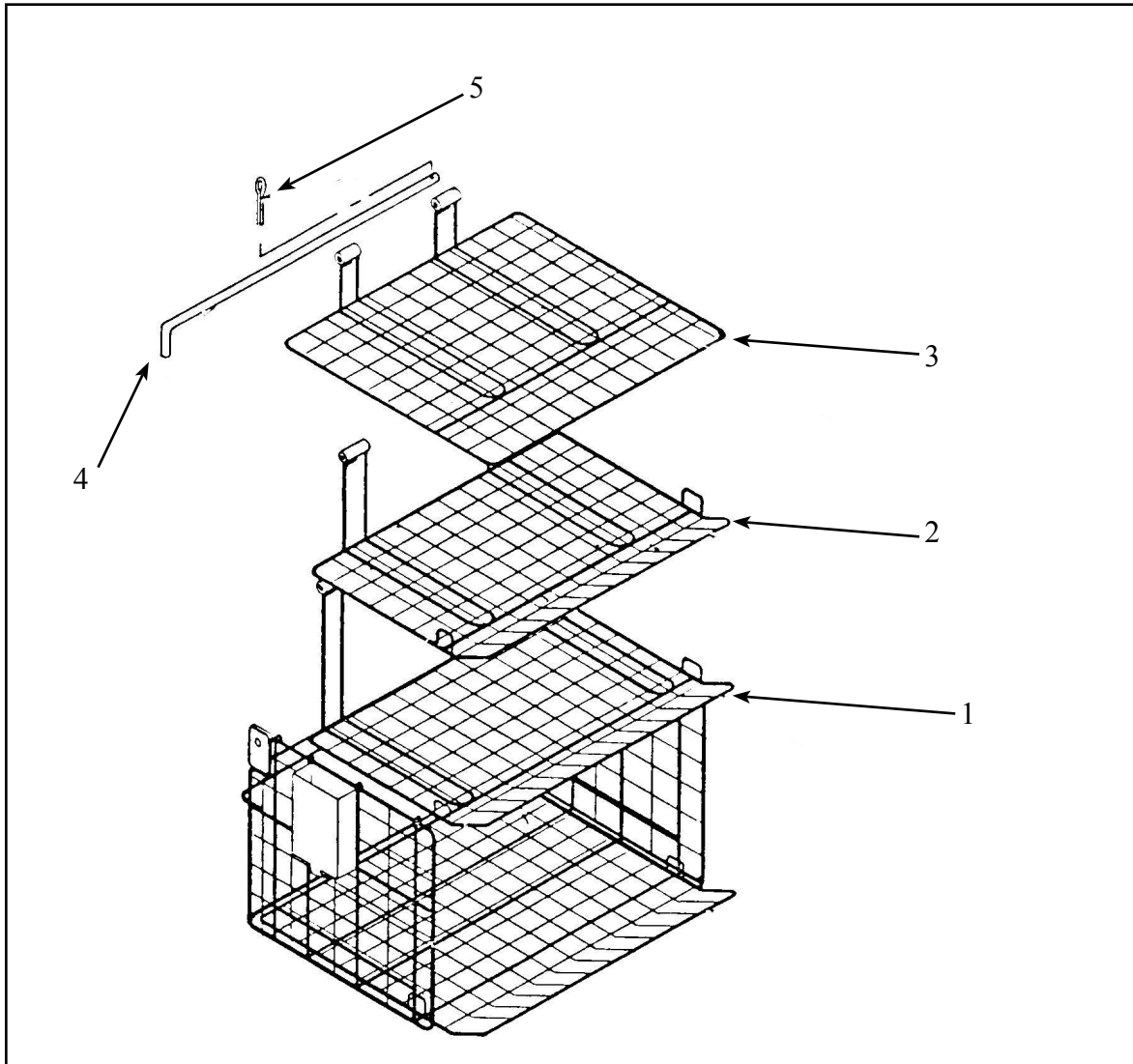


Figure 3-10. 3 Tier Wire Basket (Gas Model)

FIGURE & ITEM NO.	PART NUMBER	DESCRIPTION	QTY.
3-10	64058	STAINLESS STEEL BASKET.....	1
1	64060	SHELF, 2nd.....	1
2	64061	SHELF, 3rd.....	1
3	64062	COVER.....	1
4	19536	ROD, Pivot.....	1
5	PN01 -001	PIN, Cotter.....	1

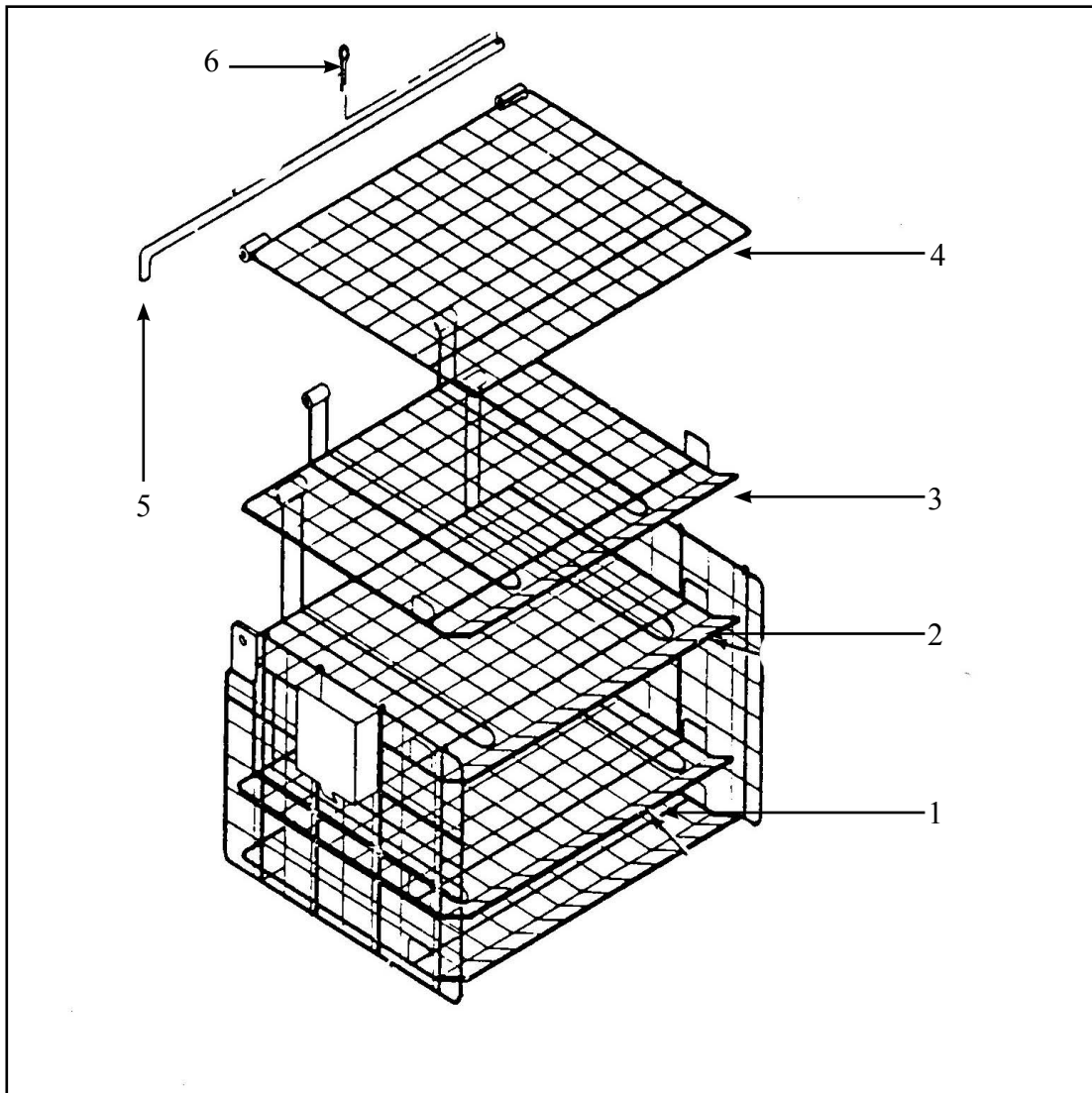


Figure 3-11. 4 Tier Wire Basket (Electric Model)

ITEM NO.	PART NUMBER	DESCRIPTION	QTY.
3-11	63039	STAINLESS STEEL BASKET	1
1	63043	SHELF, 2nd	1
2	63044	SHELF, 3rd	1
3	63045	SHELF, 4th	1
4	63047	COVER.....	1
5	19536	ROD, Pivot	1
6	PN01 -001	PIN, Cotter.....	1
7*	24900	BASKET-TIER - 3.375 Hook Height (Malaysia).....	1

* not shown

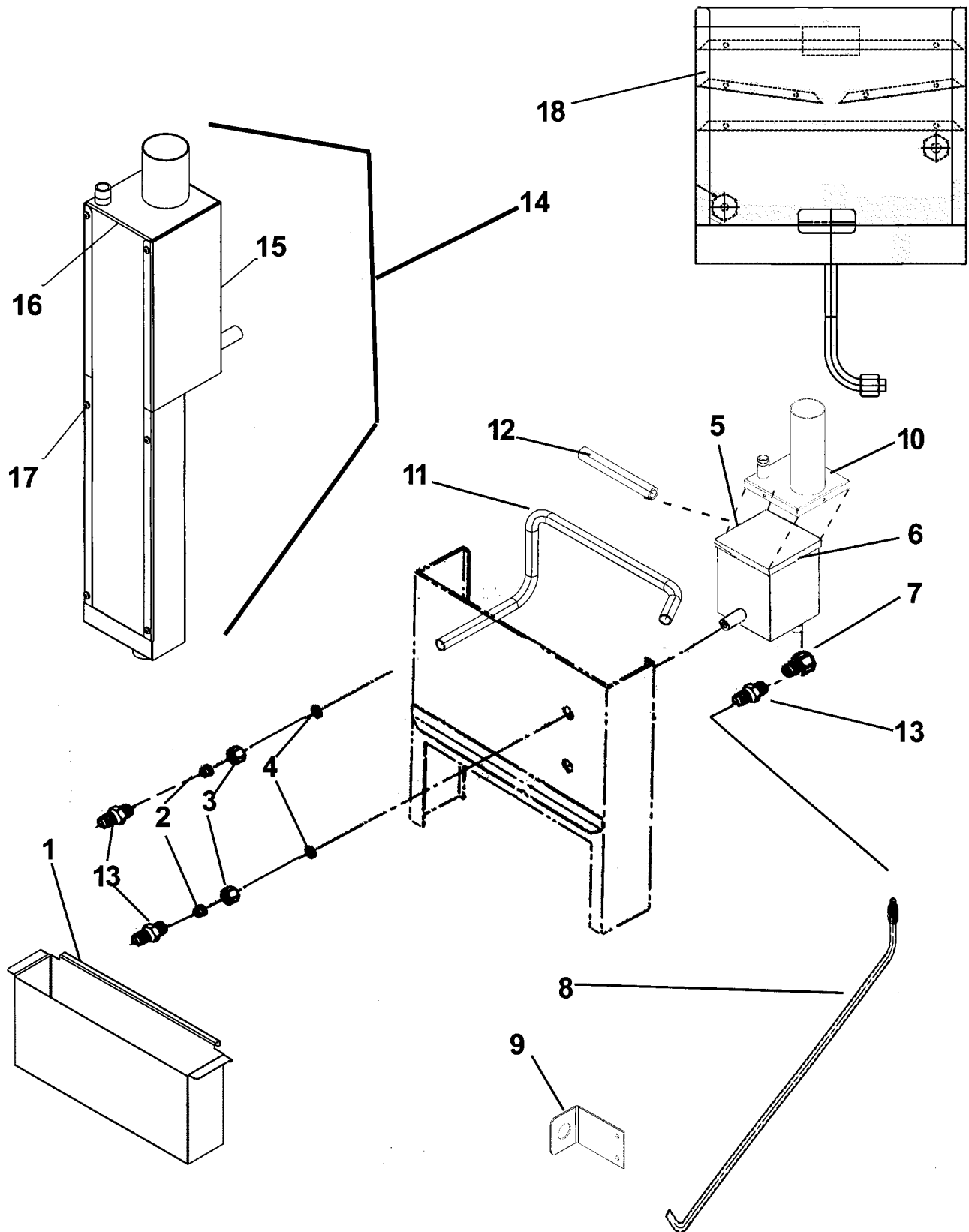


Figure 3-12. Exhaust Stack Assembly

FIGURE & ITEM NO.	PART NUMBER	DESCRIPTION	UNITS PER ASSY
3-12		EXHAUST STACK ASSEMBLY	
1	68086	PAN, Condensate Drain	1
1	64274	PAN, Condensate Drain-Short (CFA-SN: JB095JA to HB013JB)	1
2	16817	FITTING, Teflon Sleeve	2
3	16809	NUT, Fitting.....	2
4	16804	UMBRELLA GROMMET	2
5	58852	CONDENSATE BOX - Bottom-See chart on next page.....	1
6	SC02-016	SCREW, #8-32-AB x 1/2 PH PHD S	4
7	FP01-122	REDUCER, 3/8 to 1/2 BI.....	1
8		TUBE, Condensation Assembly-See chart on next page.....	1
9	63992	BRACKET, Condensation Hose	1
10	64013	CONDENSATE BOX - Top-See chart on next page.....	1
11		TUBE, Deadweight-See chart on next page	1
12		HOSE, Deadweight to Steam Box-See chart on next page	1
13	16807	CONNECTOR, Male.....	3
14	65724	ASSY, Condensate Box-See chart on next page.....	1
15	65725	WELD ASSY, Steam Box - Outer	1
16	65726	WELD ASSY, Steam Box - Inner	1
17	SC04-003	SCREW, #8-32 x 3/8 PH PHD S	6
18	21302	ASSY, Exhaust Stack - 500/561 - SN: KB020JJ & Below.....	1

Exhaust Stack Assembly

Item No.	Serial Number	Description	500	561	600
8	KB020JJ & Below	Condensation Line Assy	18506	-	-
8	KB029JJ & Below	Condensation Line Assy	-	55432	-
8	KA020JJ & Below	Condensation Line Assy	-	-	16838
11		Dead Weight Tube SS	-	-	16854
8	KB021JJ to BB016JA	Condensation Line Assy	14320	-	-
10		Condensate Box Top	64013	-	-
11		Dead Weight Tube SS	59221	-	-
12		Flex Hose To Cond. Box	63195	-	-
14		Condensate Box	58852	-	-
8	KB030JJ to BB055JA	Condensation Line Assy	-	14320	-
10		Condensate Box Top	-	64013	-
11		Dead Weight Tube SS	-	59221	-
12		Flex Hose To Cond. Box	-	63195	-
14		Condensate Box	-	58852	-
8	KA021JJ to BA026JA	Condensation Line Assy	-	-	14320
10		Condensate Box Top	-	-	64013
11		Dead Weight Tube SS	-	-	59221
12		Flex Hose To Cond. Box	-	-	63195
14		Condensate Box	-	-	58852
8	BB017JA to EB015JB	Condensation Line Assy	64016	-	-
10		Condensate Box Top	64013	-	-
11		Dead Weight Tube SS	59221	-	-
12		Flex Hose To Cond. Box	63195	-	-
14		Condensate Box	58852	-	-
8	BB056JA to EB019JB	Condensation Line Assy	-	64016	-
10		Condensate Box Top	-	64013	-
11		Dead Weight Tube SS	-	59221	-
12		Flex Hose To Cond. Box	-	63195	-
14		Condensate Box	-	58852	-
8	BA027JA to EA014JB	Condensation Line Assy	-	-	64016
10		Condensate Box Top	-	-	64013
11		Dead Weight Tube SS	-	-	59221
12		Flex Hose To Cond. Box	-	-	63195
14		Condensate Box	-	-	58852

(Continued on following page)

Exhaust Stack Assembly

Item No.	Serial Number	Description	500	561	600
8	EB016JB to HB013JB	Condensation Line Assy	24998	-	-
10	(except EB018JB	Condensate Box Top	use 65724	-	-
11	& EB019HB)	Dead Weight Tube SS	65621	-	-
12		Flex Hose To Cond. Box	52124	-	-
5		Condensate Box Bottom	use 65724	-	-
14		Condensate Box	use 65724	-	-
8	EB020JB to HB016JB	Condensation Line Assy	-	24998	-
10		Condensate Box Top	-	use 65724	-
11		Dead Weight Tube SS	-	65621	-
12		Flex Hose To Cond. Box	-	52124	-
5		Condensate Box Bottom	-	use 65724	-
14		Condensate Box	-	use 65724	-
8	EA015JB to GA085JB	Condensation Line Assy	-	-	24998
10		Condensate Box Top	-	-	use 65724
11		Dead Weight Tube SS	-	-	65621
12		Flex Hose To Cond. Box	-	-	52124
5		Condensate Box Bottom	-	-	use 65724
14		Condensate Box	-	-	use 65724
8	HB014JB & Above	Condensation Line Assy	69009	-	-
11		Dead Weight Tube SS	65621	-	-
12		Flex Hose To Cond. Box	52124	-	-
14		Condensate Box	65724	-	-
8	HB017JB & Above	Condensation Line Assy	-	69009	-
11		Dead Weight Tube SS	-	65621	-
12		Flex Hose To Cond. Box	-	52124	-
14		Condensate Box	-	65724	-
8	GA086JB & Above	Condensation Line Assy	-	-	69009
11		Dead Weight Tube SS	-	-	65621
12		Flex Hose To Cond. Box	-	-	52124
14		Condensate Box	-	-	65724

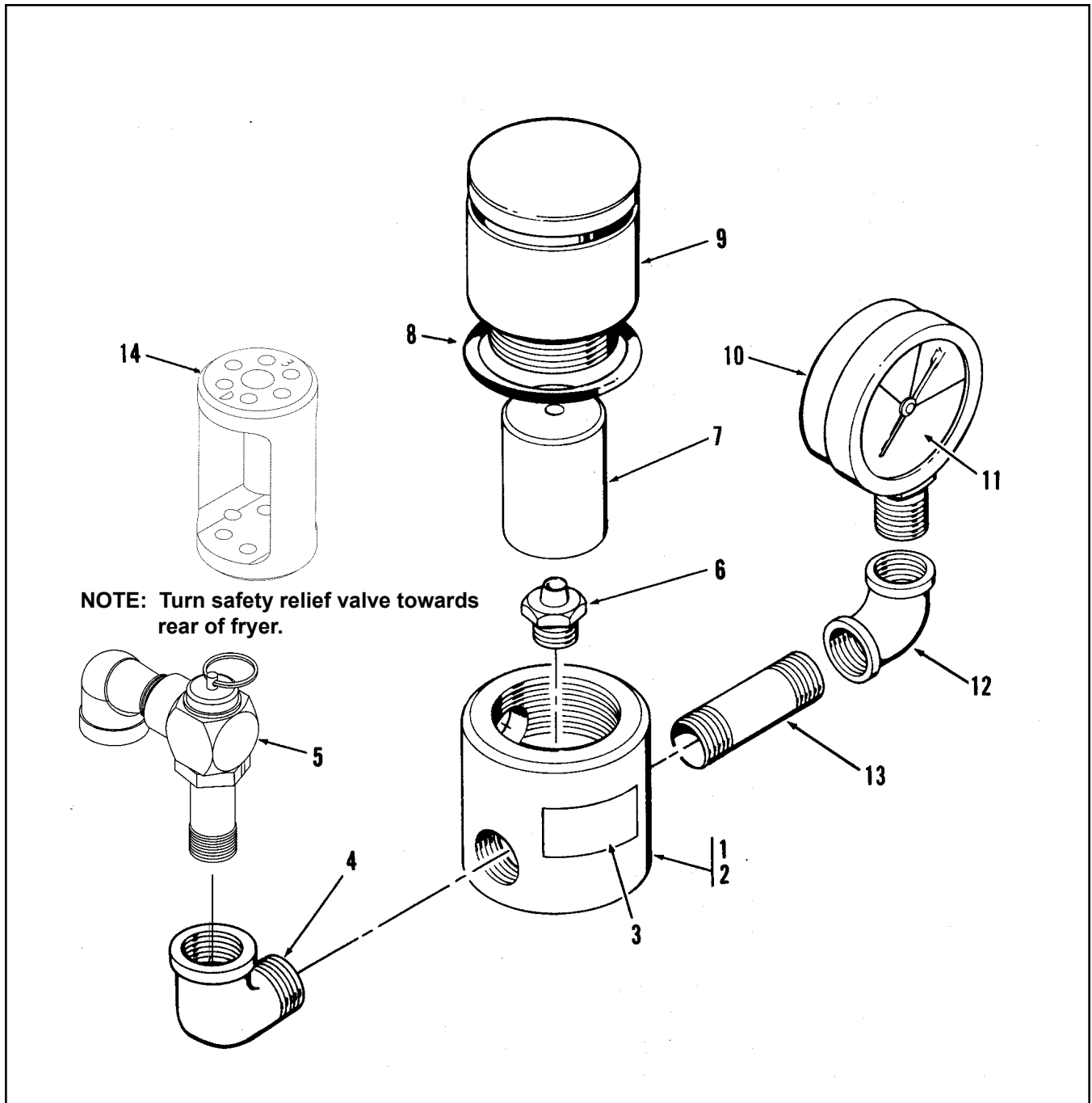


Figure 3-13. Deadweight Valve Assembly

FIGURE & ITEM NO.	PART NUMBER	DESCRIPTION	UNITS PER ASSY
3-13		DEADWEIGHT VALVE ASSEMBLY	
1	16924	VALVE ASSEMBLY, Deadweight	1
2	56305	BODY, Deadweight Valve	1
3	16912	DECAL, DEADWEIGHT VALVE.....	1
4	FP01-127	1/2 x 1/2 90 Degree Street L.....	1
√ 5	59742	VALVE ASSEMBLY, Relief.....	1
6	16918	DEADWEIGHT ORIFICE	1
6	27910	DEADWEIGHT ORIFICE - 3 lb. (use w/28922)	1
7	16903	DEADWEIGHT - 12 lb.....	1
7	81343	DEADWEIGHT - 11 lb (Malaysia).	1
7	28922	DEADWEIGHT - 3 lb (use w/27910).....	1
7	32729	DEADWEIGHT - 7 lb.....	1
8	16902	RING, Cap.....	1
9	56307	CAP, Deadweight Valve	1
√ 10	16910	GAUGE, Pressure.....	1
11	16914	GLASS, Pressure Gauge.....	1
12	16909	ELBOW	1
13	56636	NIPPLE.....	1
14	65449	DEADWEIGHT - 3 lb.	1

√ Recommended Parts

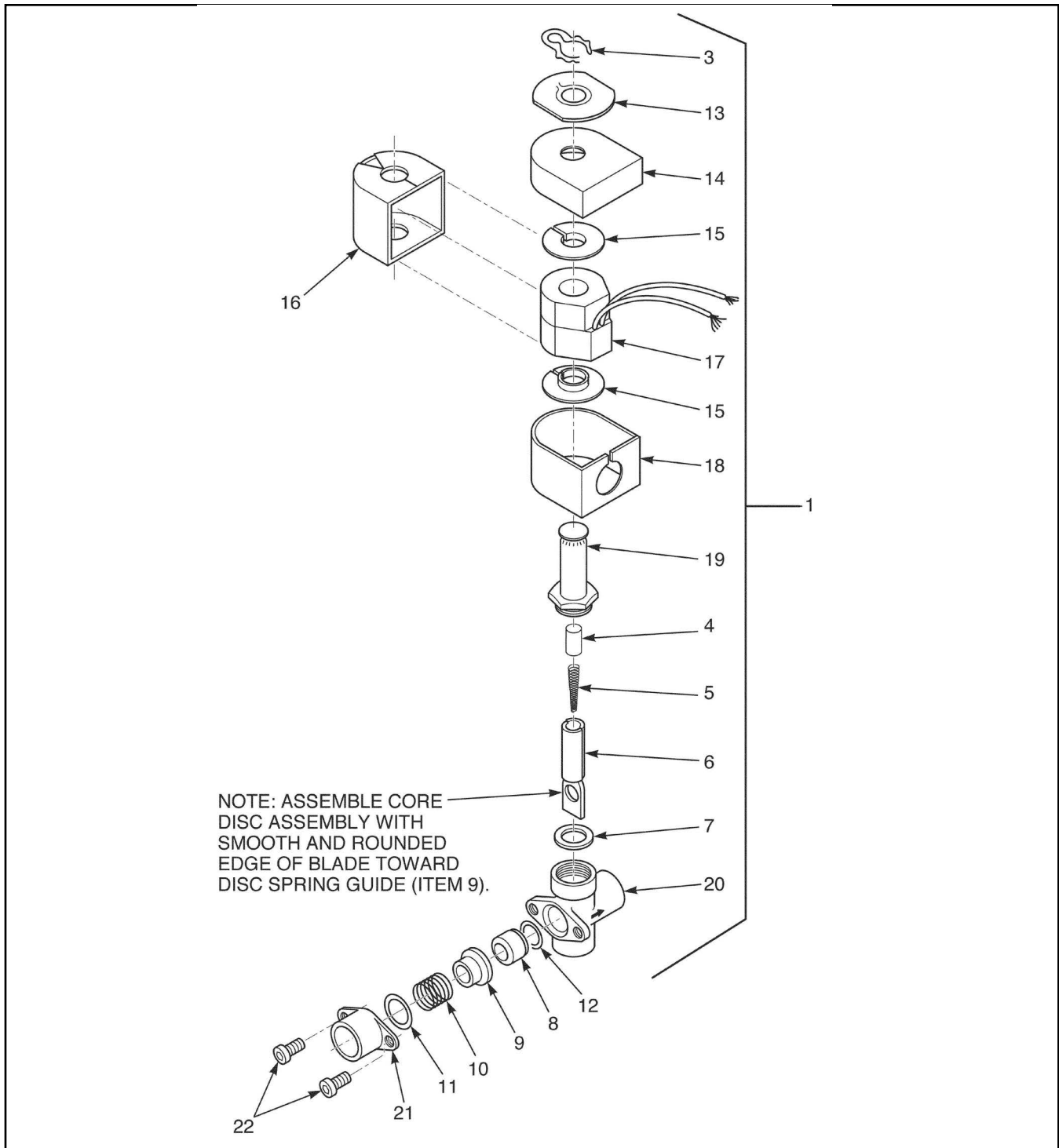


Figure 3-14. Solenoid Valve Assembly (Gas or Electric Model)

FIGURE & ITEM NO.	PART NUMBER	DESCRIPTION	UNITS PER ASSY
3-14		SOLENOID VALVE ASSEMBLY (Gas or Electric Model)	
1	17121	VALVE, Solenoid, 120 Volt, 60 Cycle.....	1
1	18724	VALVE, Solenoid, 208-240 Volt, 50 Cycle	1
1	18721	VALVE, Solenoid, 208/240 Volt, 60 Cycle	1
1	29515	VALVE, Solenoid, 24 Volt, 60 Cycle.....	1
1	29698	VALVE, Solenoid, 24 Volt, 50 Cycle.....	1
1	54945	VALVE, Solenoid, 208-240 Volt, 50 Cycle-CE.....	1
1	54971	VALVE, Solenoid, 24 Volt, 50 Cycle-CE	1
√ 2	17120	KIT, Solenoid Valve Repair	1
3	17101	CLIP, Retaining	1
4	17109	RETAINER, Spring	1
5	17110	SPRING, Core	1
6	17111	CORE, Disc Assembly	1
7	17112	GASKET, Bonnet	1
8	17114	SEAT, Teflon	1
9	17115	GUIDE, Disc Spring.....	1
10	17116	SPRING, Disc	1
11	17117	RING, Spring Retainer.....	1
12	17122	SEAT, O-Ring Seal	1
√ 13	17102	PLATE, Solenoid Name	1
√ 14	17103	COVER, Coil Housing.....	1
√ 15	17104	WASHER, Coil	2
√ 16	17105	YOKE, Coil.....	1
√ 17	17106	COIL, 120 Volt, 60 Cycle.....	1
√ 17	18706	COIL, 208/240 Volt, 60 Cycle.....	1
√ 17	18726	COIL, 208-240 Volt, 50 Cycle	1
√ 17	29547	COIL, 24 Volt, 60 Cycle.....	1
√ 17	29575	COIL, 24 Volt, 50 Cycle.....	1
√ 18	17123	HOUSING, Coil	1
√ 19	17108	BONNET, Solenoid.....	1
√ 20	17113	BODY, Solenoid Valve.....	1
√ 21	17118	ADAPTER, Pipe	1
√ 22	SC01-132	SCREW, Adapter.....	2

√ Recommended Parts

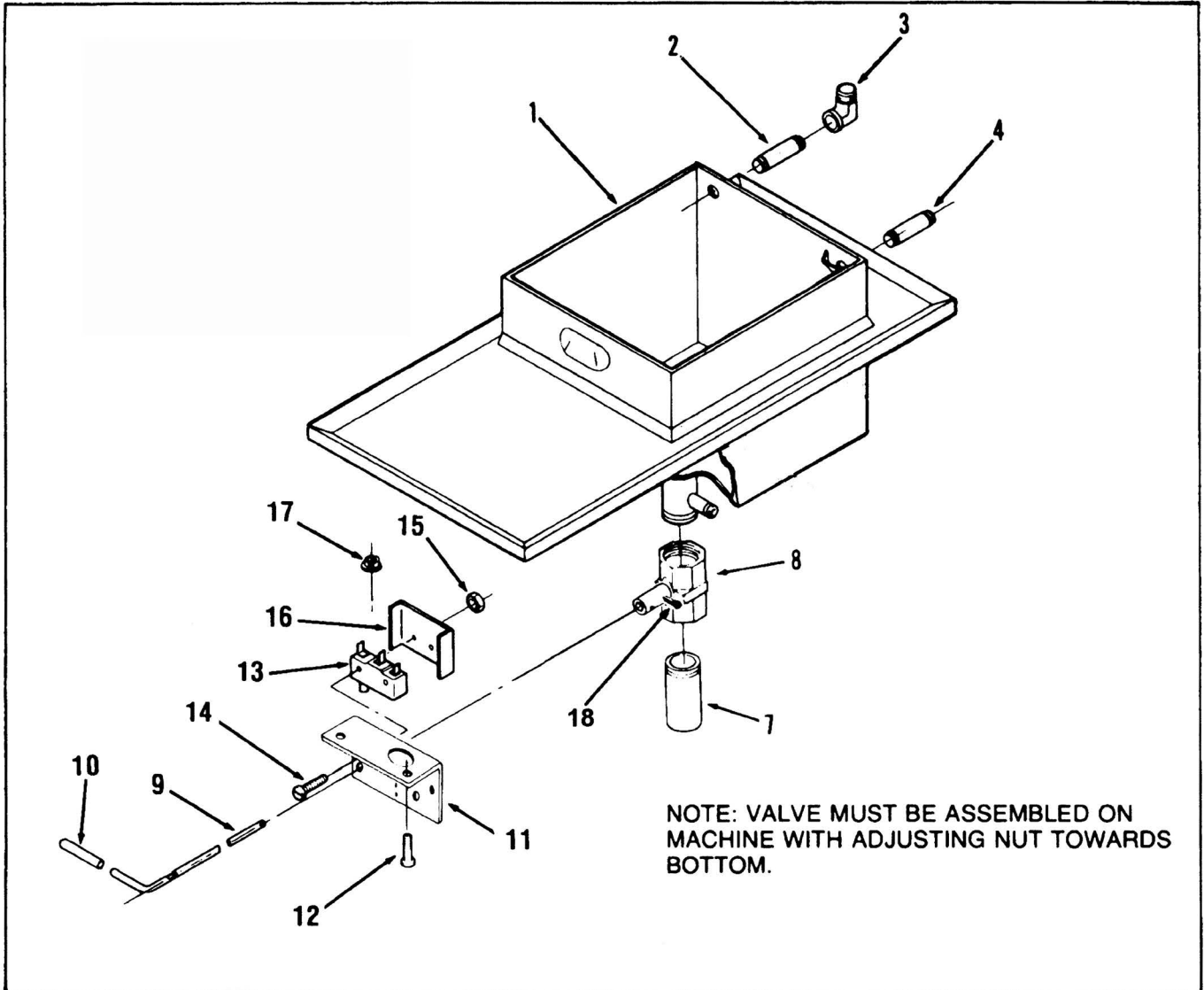


Figure 3-15. Drain Valve Assembly (Electric Model)

FIGURE & ITEM NO.	PART NUMBER	DESCRIPTION	UNITS PER ASSY
3-15		DRAIN VALVE ASSEMBLY (Electric Model)	
1		TOP ASSEMBLY, Pot and Counter- See chart on next page	1
2	18816	NIPPLE, Pipe	1
3	16239	ELBOW	1
4	18816	NIPPLE, Pipe	1
7		NIPPLE, Drain Extension- See chart on next page	1
8	17261	BODY, Drain Valve (SN: FB099IH and above).....	1
8	55152	ASSY, Drain Valve and Coupling (SN: FB098IH and below)	1
9	18818	ROD, Drain Valve Extension - Normally Closed	1
9	66123	ROD, Drain Valve Extension - Normally Open	1
9	44907	ROD, Drain Valve Extension - 561 (Before 11-12-02)	1
10	16293	COVER, Valve Handle	1
11		BRACKET, Filter & Drain Rod - See chart on next page ..	1
12	SC03-005	SCREW, Drain Valve Bracket	2
√ 13	18227	MICROSWITCH	1
14	SC01-058	SCREW, Microswitch	2
15	NS02-005	NUT, Microswitch	2
16	18528	COVER, Microswitch	1
16		COVER, Microswitch - 561 - See chart on next page	1
17	EF02-004	BUSHING, Snap	1
18	17255	PIN, Cotter.....	2
19*	59964	INSULATION, Front Panel - 561 (500 elements).....	1
20*	59956	INSULATION, Right Side Panel - 561 (500 elements)	2
21*	55412	INSULATION, Rear Panel - 561 (500 elements).....	1
22*	59955	SHROUD, Control Panel-Rear - 561 (500 elements)	1
23*	55417	INSULATION, Rear Panel - 561 (500 elements).....	1
24*	59957	INSULATION, Side Panel - 561 (500 elements)	2
25*	63339	INSULATION, Front Panel - 561 (500 elements).....	1
√ 26*	14653	KIT, PFE500 Norm Open Drain Switch.....	1

√ Recommended Parts

*not shown

Frypot & Drain Valve Assembly

Serial Number	Description	500	561
KB020JJ & Below	Bracket - Drain Rod	18419	-
	Drain Extension	18817	-
	Pot & Countertop	18921	-
KB029JJ & Below	Bracket - Drain Rod	-	44847
	Pot & Countertop	-	56071
	Pot & Countertop w/Firebar	-	44455
	Drain Switch Cover	-	48033
KB021JJ to HB013JB	Bracket - Drain Rod	63193	-
	Drain Extension	18817	-
	Pot & Countertop	65025	-
	Pot & Countertop(Pollo Campero)	65027	
KB030JJ to HB016JB	Bracket - Drain Rod	-	59958
	Pot & Countertop	-	65198
	Front Panel	-	56974
	Drain Switch Cover	-	59954
HB014JB & Above	Bracket - Drain Rod	23917	-
	Drain Extension & Deflector	24633	-
	Pot & Countertop	65025	-
	Pot & Countertop(Pollo Campero)	65027	
	Frame Assy(short)	23679	-
	Frame Assy(long)	26854	-
HB017JB & Above	Bracket - Drain Rod	-	23756
	Drain Extension & Deflector	-	24638
	Pot & Countertop	-	65024
	Frame Assy(short)	-	23679
	Frame Assy(long)	-	26854
	Drain Switch Cover	-	23757

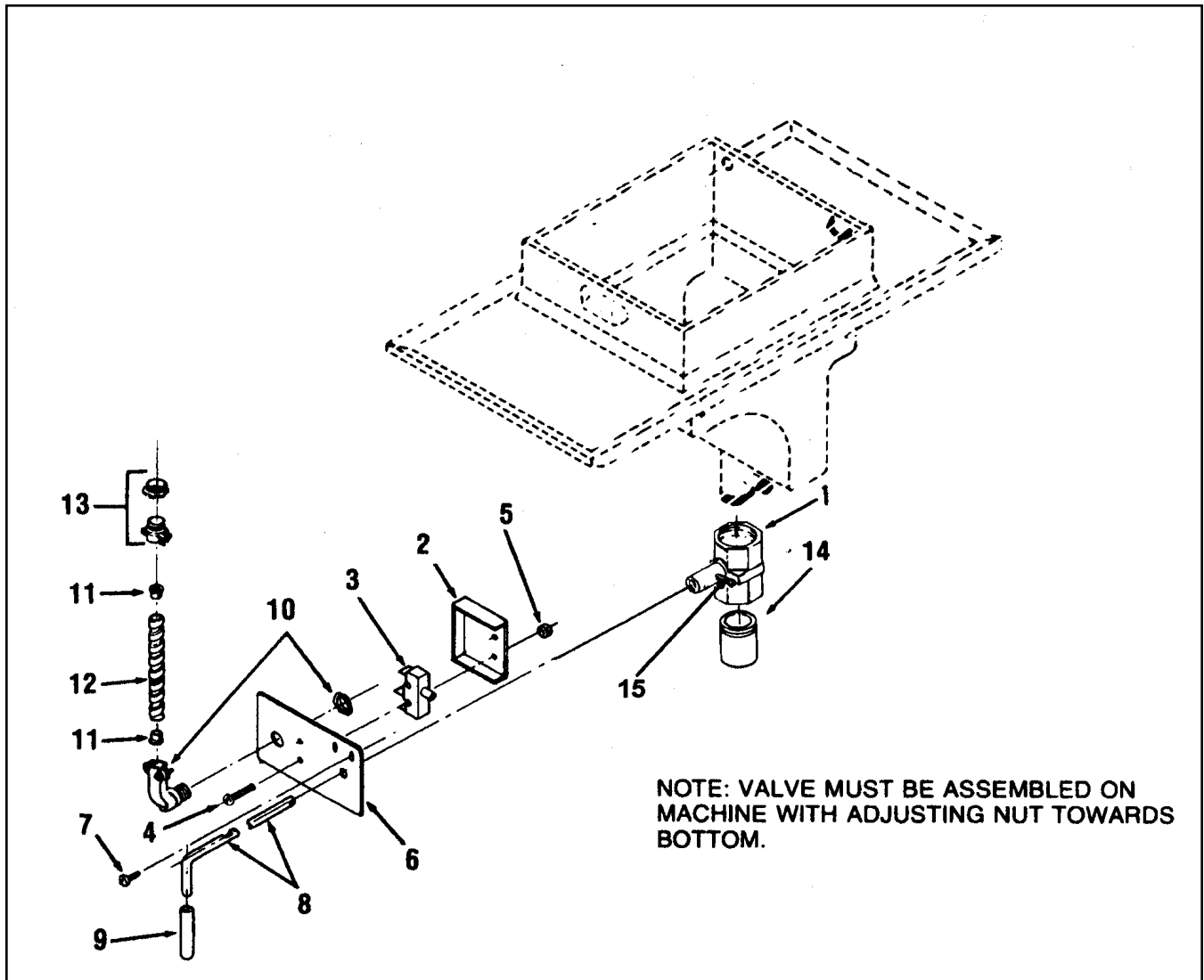


Figure 3-16. Drain Valve Assembly (Gas Model)

FIGURE & ITEM NO.	PART NUMBER	DESCRIPTION	UNITS PER ASSY
3-16		DRAIN VALVE ASSEMBLY (Gas Model)	
1	17261	BODY, Drain Valve (June 1998 and above)	1
1	55152	ASSY, Drain Valve & Coupling (May 1998 & below).	1
2	17210	COVER, Microswitch	1
√ 3	18227	MICROSWITCH	1
4	SC01-058	SCREW, Microswitch	2
5	NS02-005	NUT, Microswitch	2
6	17211	BRACKET, Drain, Valve Rod	1
7	SC03-005	SCREW, Drain Bracket	2
8	17254	ROD, Drain Valve - Normally Closed	1
8	67661	ROD, Drain Valve - Normally Open	1
9	16293	COVER, Valve Handle	1
10	18644	CONNECTOR, 90° Flexible Conduit	1
		(Includes Nut)	
11	18105	INSULATOR	2
12	17214	CONDUIT, Flexible	1
13	18111	CONNECTOR, Flexible Conduit	1
		(Includes Nut)	
14	18819	EXTENSION NIPPLE (SN: KA020JJ and below) ...	1
14	18817	EXTENSION NIPPLE (SN: KA021JJ to GA085JB)	1
14	24647	EXTENSION & DEFLECTOR.....	1
		(SN: GA086JB and above)	
15	17255	PIN, Cotter	2
√ 16*	14652	KIT, PFG600 Norm Open Drain Switch.....	1

√ Recommended / * not shown

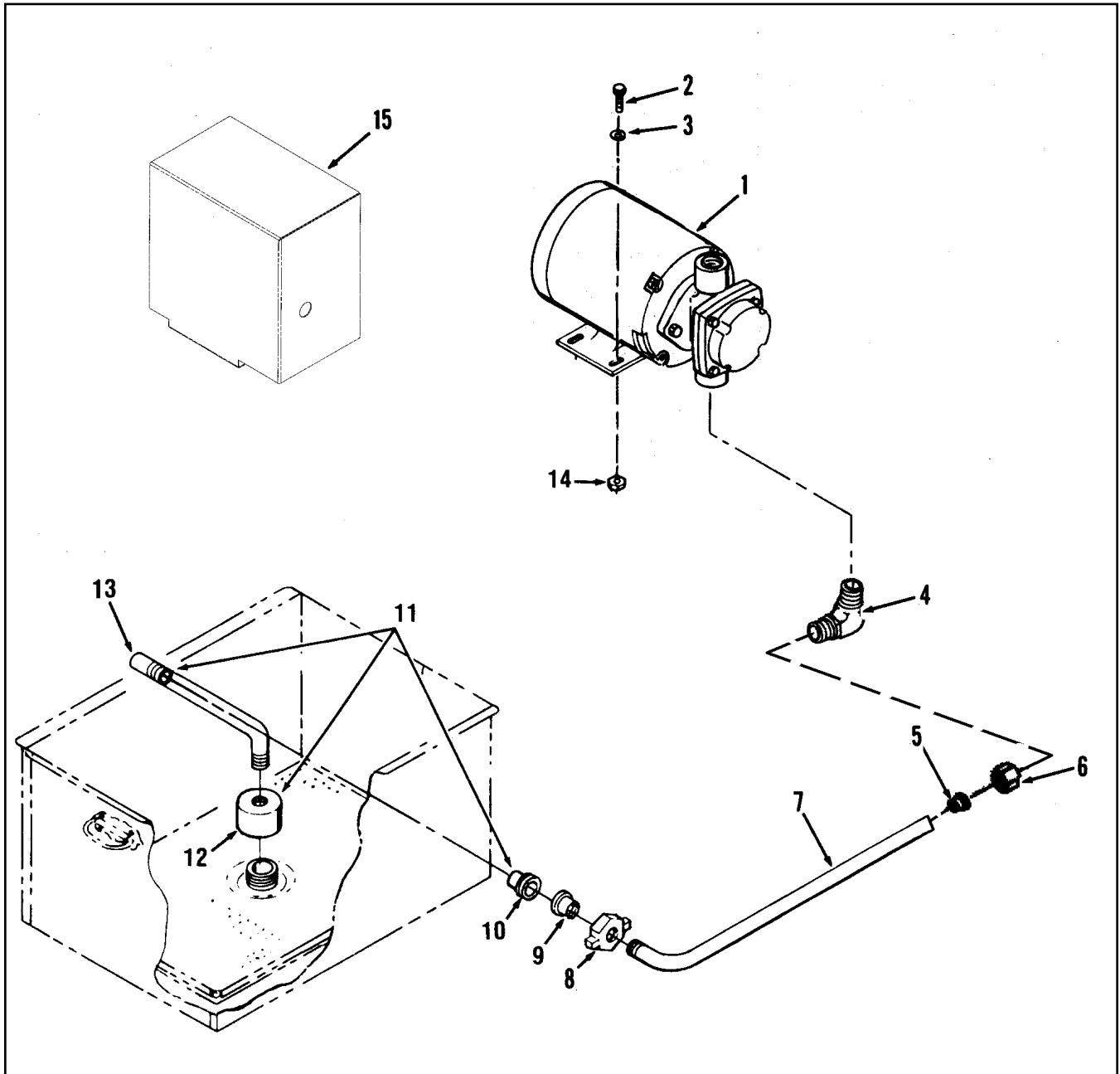


Figure 3-17. Lower Filter Plumbing Components (Gas or Electric Model)

FIGURE & ITEM NO.	PART NUMBER	DESCRIPTION	UNITS PER ASSY
3-17		LOWER FILTER PLUMBING COMPONENTS (Gas or Electric Model)	
1	67589	MOTOR AND PUMP, Filter.....	1
√	67583	MOTOR Only - 1/2 Horse Power.....	1
	17437	PUMP Only.....	1
√	17476	SEAL KIT, Pump.....	1
2	SC01-022	SCREW, Motor.....	8
3	WA01-002	WASHER.....	8
4	17407	CONNECTOR, Male Elbow.....	1
5	16808	FITTING, Sleeve.....	1
6	16809	NUT Fitting.....	1
7		PUMP RETURN TUBE- See chart next page	1
√ 8	17432(use 69289)	FITTING, Union Handle.....	1
√ 9	17431(use 69289)	FITTING, Male Union.....	1
√ 10	17430(use 69289)	FITTING, Female Union (Also included with item 11).....	1
11		STANDPIPE ASSY, Filter Screen- See chart next page	1
12	65208	NUT, Filter Screen.....	1
13		TUBING- See chart next page	1
14	NS02-002	NUT, Motor.....	4
15		SHIELD, Motor Splash-CE- See chart next page	1
16*	14064	KIT, KFC Filter.....	1
	17225	GRID, KFC Filter.....	1
	17226	CLIP, Filter.....	1
	17228	FITTING, Male Filter.....	1
	17229	FITTING, Female Filter.....	1

√ Recommended Parts

*not shown

Lower Filter Plumbing Components

SN	Description	500	561	600
KB020JJ &	Standpipe Assy	19102	-	-
Below	Standpipe Tube	19101	-	-
	Pump Return Tube Assy	16812 (includes 16808 & 16809)	-	-
	Pump Return Tube	64331 (use if pan has cover)	-	-
	Motor Splash Shield-CE	55281	-	-
KB029JJ &	Standpipe Assy	-	19102	-
Below	Standpipe Tube	-	19101	-
	Pump Return Tube Assy	-	16812 (includes 16808 & 16809)	-
	Pump Return Tube	-	64331 (use if pan has cover)	-
KA020JJ &	Standpipe Assy	-	-	17433
Below	Standpipe Tube	-	-	55367
	Pump Return Tube Assy	-	-	16812 (includes 16808 & 16809)
	Pump Return Tube	-	-	64331 (use if pan has cover)
	Motor Splash Shield-CE	-	-	55281
KB021JJ to	Standpipe Assy	14732	-	-
HB013JB	Standpipe Tube	70061	-	-
	Pump Return Tube	58877	-	-
	Motor Splash Shield-CE	59731	-	-
KB030JJ to	Standpipe Assy	-	14732	-
HB016JB	Standpipe Tube	-	70061	-
	Pump Return Tube	-	58877	-
KA021JJ to	Standpipe Assy	-	-	14732
GA085JB	Standpipe Tube	-	-	70061
	Pump Return Tube	-	-	58877
	Motor Splash Shield-CE	-	-	59731
HB014JB &	Standpipe Assy	14659	-	-
Above	Standpipe Tube	23951	-	-
	Pump Return Tube Assy	23800 (includes 16808 & 16809)	-	-
	Motor Splash Shield-CE	24644	-	-
HB017JB &	Standpipe Assy	-	14659	-
Above	Standpipe Tube	-	23951	-
	Pump Return Tube Assy	-	23800 (includes 16808 & 16809)	-
GA086JB &	Standpipe Assy	-	-	14664
Above	Standpipe Tube	-	-	24284
	Pump Return Tube Assy	-	-	23800 (includes 16808 & 16809)
	Motor Splash Shield-CE	-	-	24644

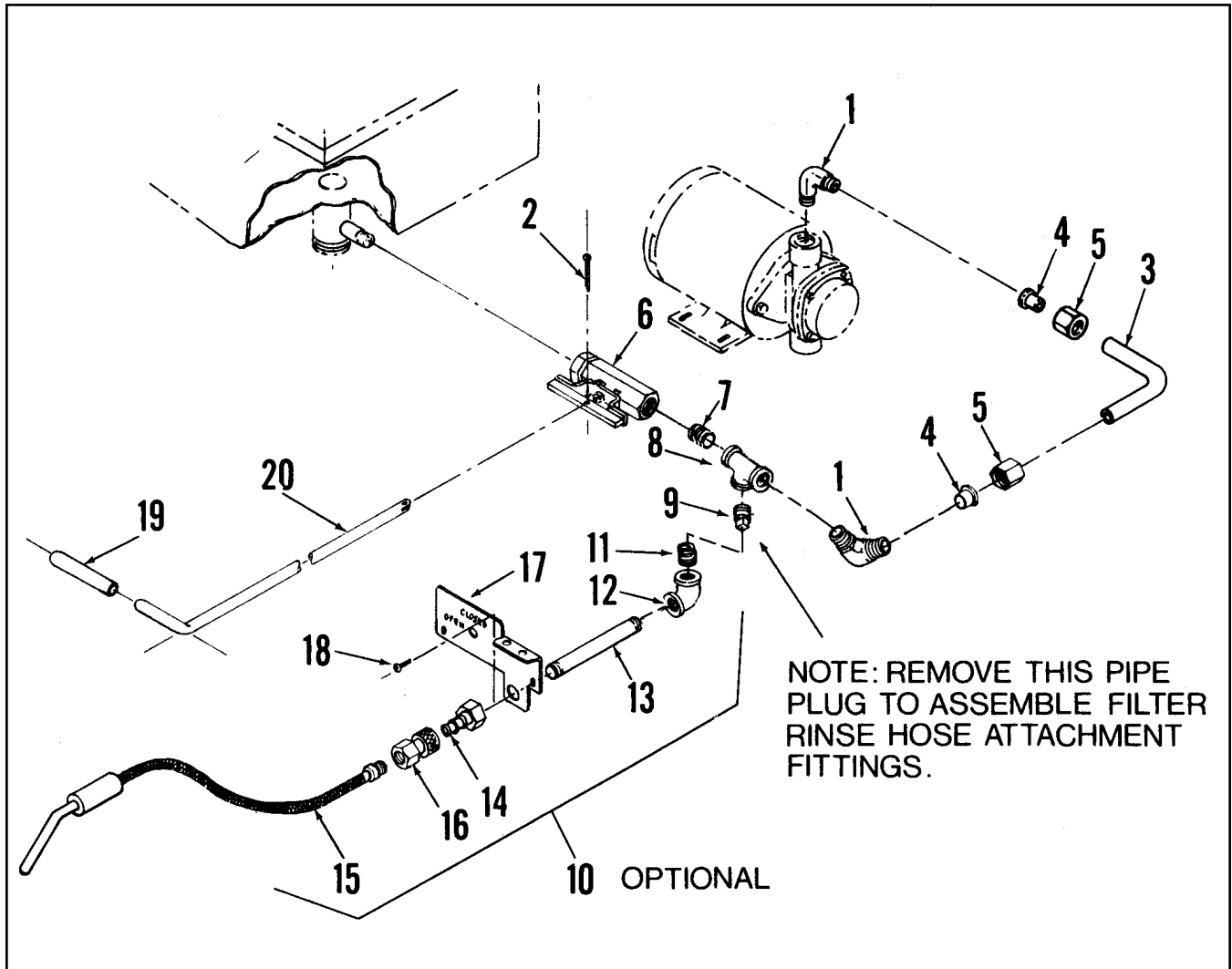


Figure 3-18. Upper Filter Plumbing Components

FIGURE & ITEM NO.	PART NUMBER	DESCRIPTION	UNITS PER ASSY
3-18		UPPER FILTER PLUMBING COMPONENTS	
1	17407	CONNECTOR, Male Elbow	2
2	17255	PIN, Cotter, Valve	1
3		TUBING, Stainless Steel- See chart next page	1
4	16808	FITTING, Sleeve	2
5	16809	NUT, Fitting.....	2
√ 6	17308	VALVE ASSEMBLY, Filter	1
7	FP02-001	NIPPLE, Close.....	1
8	17306	TEE, Pipe	1
9	FP01-015	PLUG, Pipe.....	1
10	03001	HOSE ASSY, Filter Rinse Optional (models 500/561) ...	1
10	03002	HOSE ASSY, Filter Rinse Optional (models 600).....	1
11	FP02-007	NIPPLE, Pipe.....	1
12	17319	ELBOW, Pipe.....	1
13		NIPPLE, Rinse Hose Pipe- See chart next page	1
14	17334	FITTING, Rinse Hose Disconnect, Male	1
15	03003	HOSE, Filter Rinse	1
16	17333	FITTING, Rinse Hose Disconnect - Female.....	1
17		BRACKET, Rinse Hose- See chart next page	1
18	SC03-005	SCREW, Rinse Hose Bracket	2
19	16293	COVER, Valve Rod	1
20	17311	ROD, Filter Valve Extension (model 600).....	1
20	18911	ROD, Filter Valve Extension (models 500/561).....	1
20	50646	ROD, Filter Valve Extension	1
		(model 561 SN: HB013JB & below)	
21*	03601	KIT, Shuttle Conversion - model 500	1
22*	03602	KIT, Shuttle Conversion - model 600	1

√ Recommended Parts
*not shown

Pump to Valve Tube

SN	Description	500	561	600
KB020JJ & Below	Pump to Valve Tube	18904	-	-
	Rinse Hose Pipe Nipple	17320	-	-
	Filter Valve & Rinse Hose Brkt	18419		
KB029JJ & Below	Pump to Valve Tube	-	44911	-
	Rinse Hose Pipe Nipple	-	17320	
	Filter Valve & Rinse Hose Brkt		44847	
KA020JJ & Below	Pump to Valve Tube	-	-	17329
	Rinse Hose Pipe Nipple	-	-	17320
	Filter Valve & Rinse Hose Brkt			17224
KB021JJ to HB013JB	Pump to Valve Tube	63134	-	-
	Rinse Hose Pipe Nipple	17320	-	-
	Filter Valve & Rinse Hose Brkt	63193		
KB030JJ to HB016JB	Pump to Valve Tube	-	63134	-
	Rinse Hose Pipe Nipple	-	17320	-
	Filter Valve & Rinse Hose Brkt		59958	
KA021JJ to GA085JB	Pump to Valve Tube	-	-	63246
	Rinse Hose Pipe Nipple	-	-	17320
	Filter Valve & Rinse Hose Brkt			17224
HB014JB & Above	Pump to Valve Tube	27405	-	-
	Rinse Hose Pipe Nipple	24982	-	-
	Filter Valve & Rinse Hose Brkt	23917		
HB017JB & Above	Pump to Valve Tube	-	26217	-
	Rinse Hose Pipe Nipple	-	24982	-
	Filter Valve & Rinse Hose Brkt		23756	
GA086JB & Above	Pump to Valve Tube	-	-	27456
	Rinse Hose Pipe Nipple	-	-	24982
	Filter Valve & Rinse Hose Brkt			24958

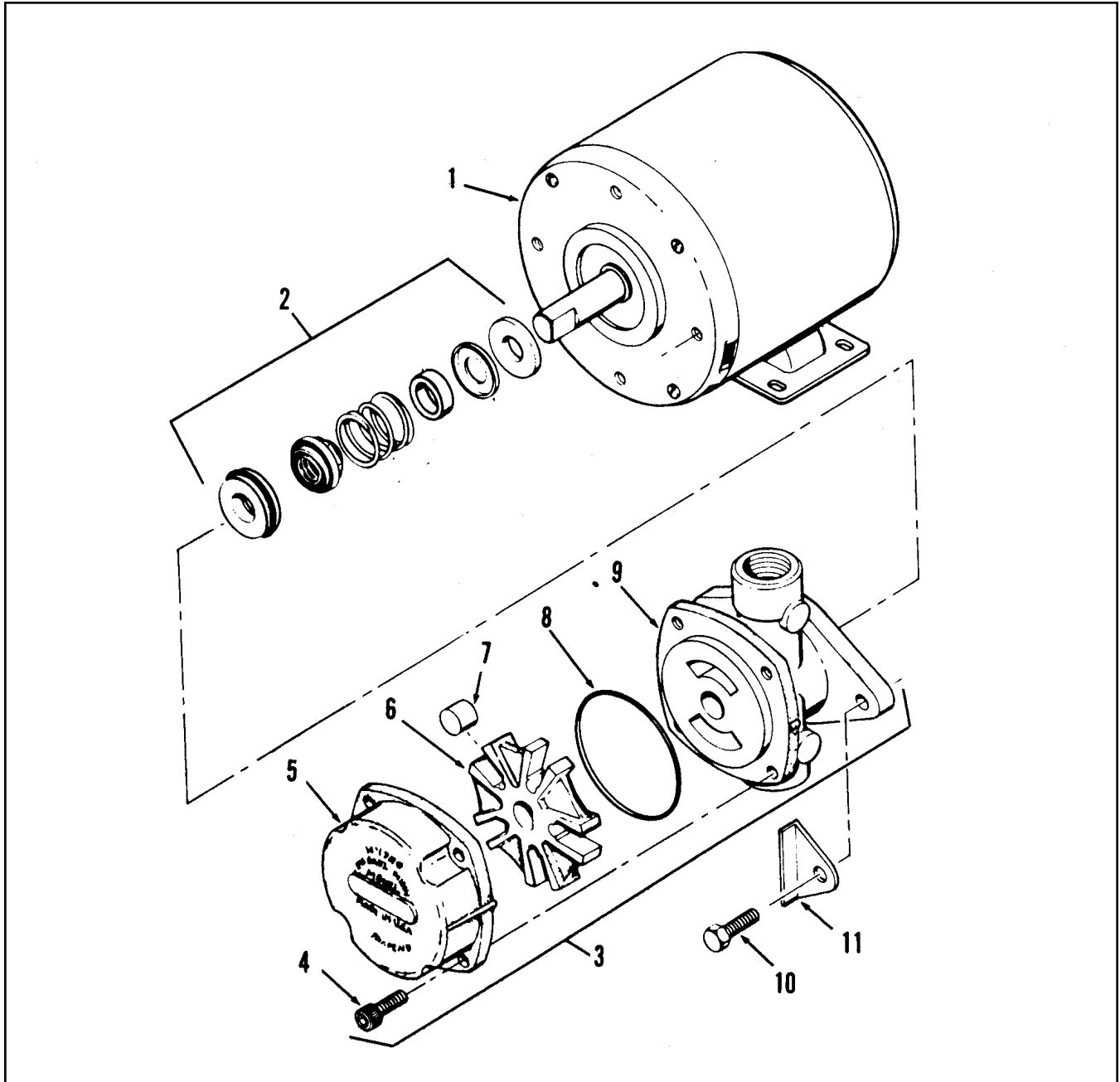


Figure 3-19. Filter Motor and Pump

FIGURE & ITEM NO.	PART NUMBER	DESCRIPTION	UNITS PER ASSY
3-19		FILTER MOTOR AND PUMP	
√ 1	67583	MOTOR, 1/2 HP - 50/60 Hz	1
√ 2	17476	SEAL KIT	1
3	17437	PUMP ASSEMBLY.....	1
√ 4	SC01-132	SCREW, Pump Cover	1
√ 5	17451	COVER, Pump	1
√ 6	17447	ROTOR, Pump	1
√ 7	17446	ROLLER, Pump	5
√ 8	17453	O-RING	1
√ 9	17454	BODY, Pump.....	1
√ 10	17456	SHIELD, Pump	2
√ 11	SC01-026	SCREW, Pump Shield.....	1

√ Recommended Parts

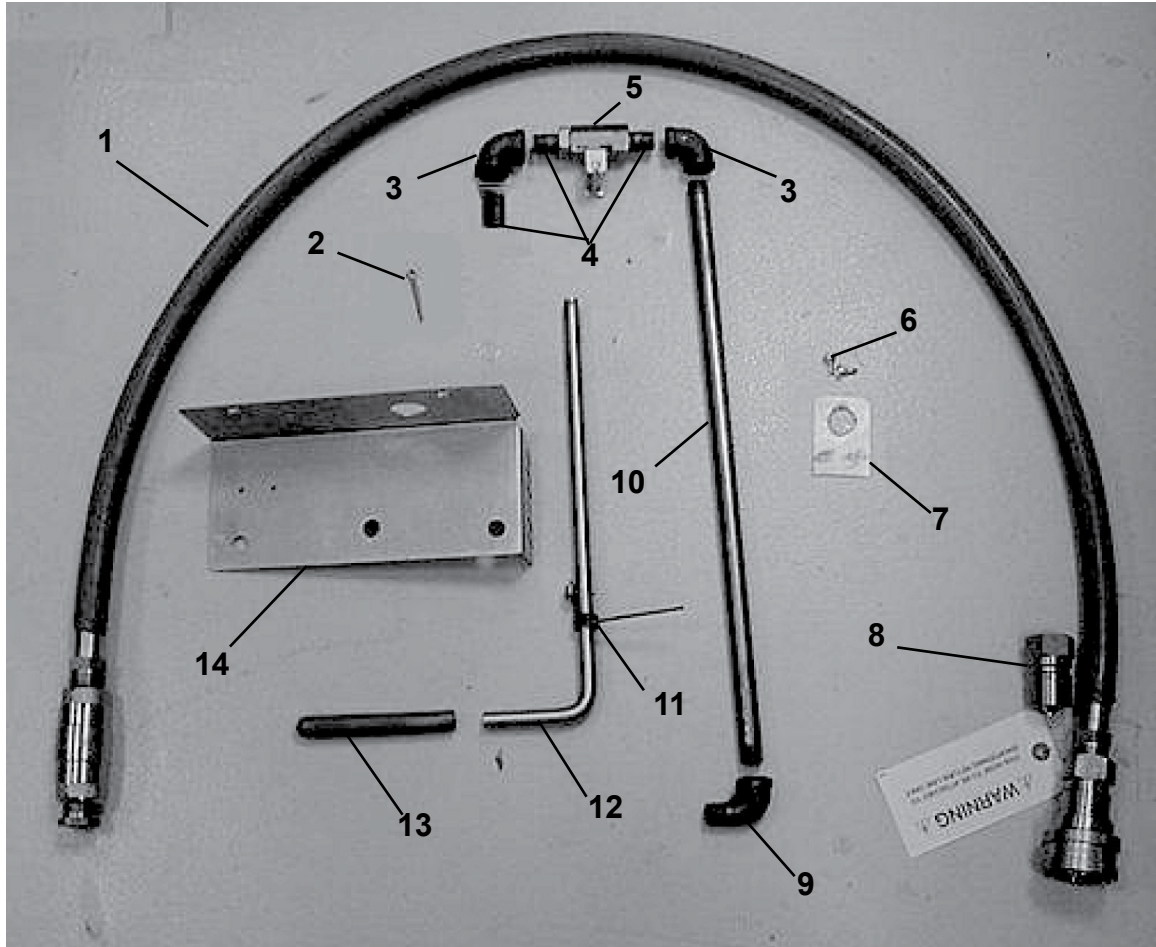


FIGURE & ITEM NO.	PART NUMBER	DESCRIPTION	UNITS PER ASSY
3-20		DIRECT-CONNECT ASSEMBLY - MODEL 500	
1	65139	ASSY, Direct-Connect Hose	1
2	17255	PIN, Cotter	1
3	17319	ELBOW, Pipe.....	2
4	FP02-024	NIPPLE, 3/8 NPT Close BI	3
√ 5	17308	VALVE, Filter	1
6	SC03-005	SCREW, SD #8 x 1/2 PH PHD	2
7	32504	ASSY, Shortening Mgt. Brkt.....	1
8	21611	DISCONNECT, Male	1
9	FP01-114	ELBOW, Street - 3/8 NPT BI.....	2
10	FP02-055	NIPPLE, - 3/8 x 18 LG BI	1
11	21874	SPRING, Shortening Mgt.	1
12	32723	ROD, Direct-Connect - 500	1
13	29769	GRIP, Fryer Handle.....	1
14	32526	BRACKET, Drain Rod - 500	1
15*	14369	KIT, Direct-Connect (SN: KB020JJ & below)	1
15*	14365	KIT, Direct-Connect (SN: KB021JJ to HB013JB	1
15*	14425	KIT, Direct-Connect (SN: HB014JB & above)	1
15*	14696	KIT, Direct-Connect-No Hose (SN: HB014JB & above).....	1

√ Recommended Parts/*not shown

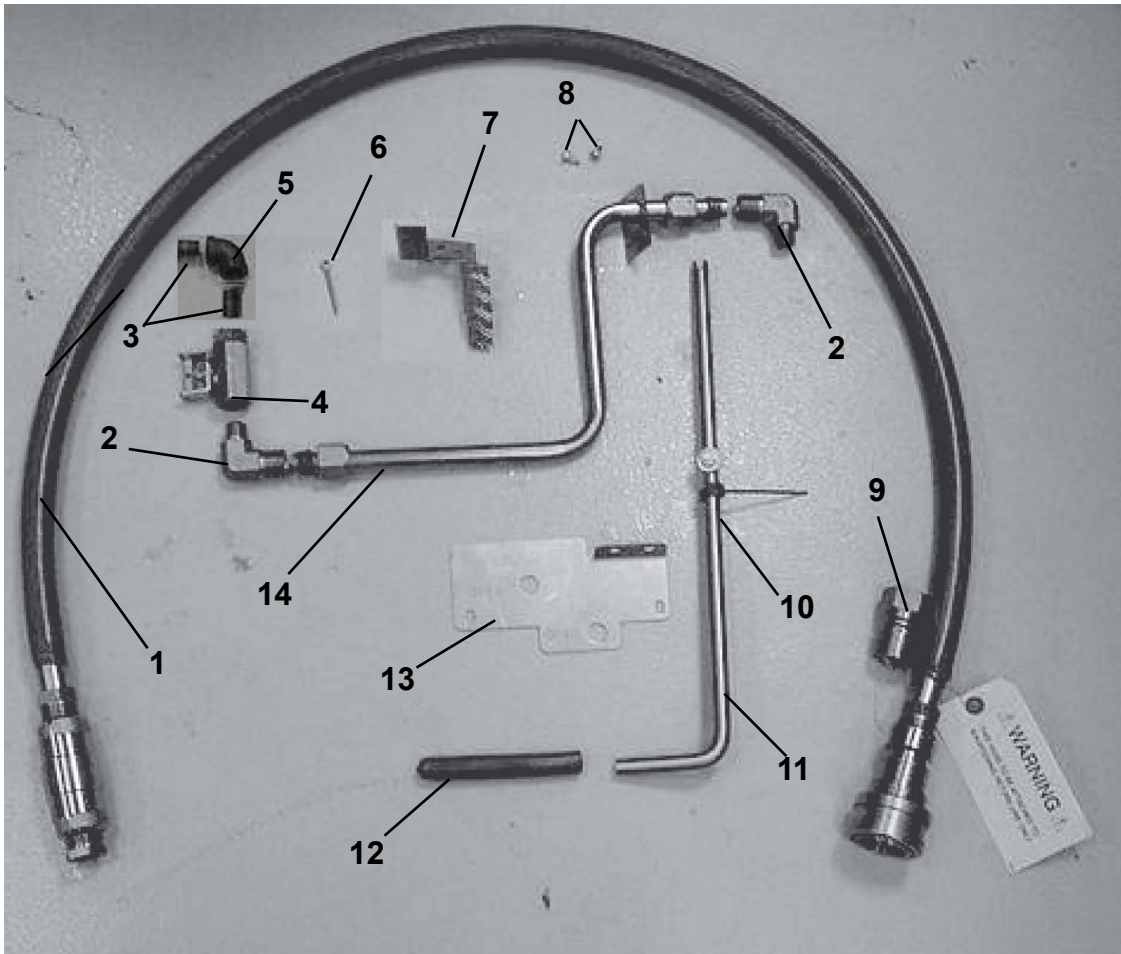


FIGURE & ITEM NO.	PART NUMBER	DESCRIPTION	UNITS PER ASSY
3-21		DIRECT-CONNECT ASSEMBLY - MODEL 600	
1	65139	ASSY, Direct-Connect Hose	1
2	FP01-079	ELBOW, 5/8 Tube - 3/8 NPT Male.....	2
3	FP02-024	NIPPLE, 3/8 NPT Close B. I.	2
√ 4	17308	VALVE, Filter	1
5	17319	ELBOW, Pipe.....	1
6	17255	PIN, Cotter	1
7	24641	ASSY, Shortening Mgt. Brkt.....	1
8	SC03-005	SCREW, SD #8 x 1/2 PH PHD.....	2
9	21611	DISCONNECT, Male	1
10	21874	SPRING, Shortening Mgt.	1
11	32722	ROD, Direct-Connect - 600	1
12	29769	GRIP, Fryer Handle.....	1
13	32557	BRACKET, Drain Rod - 600	1
14	32648	ASSY, Direct-Connect Tube - 600	1
15*	14370	KIT, Direct-Connect (SN: KA020JJ & below).....	1
15*	14366	KIT, Direct-Connect (SN: KA021JJ to GA085JB	1
15*	14426	KIT, Direct-Connect (SN: GA086JB & above).....	1

√ Recommended. Parts/*not shown

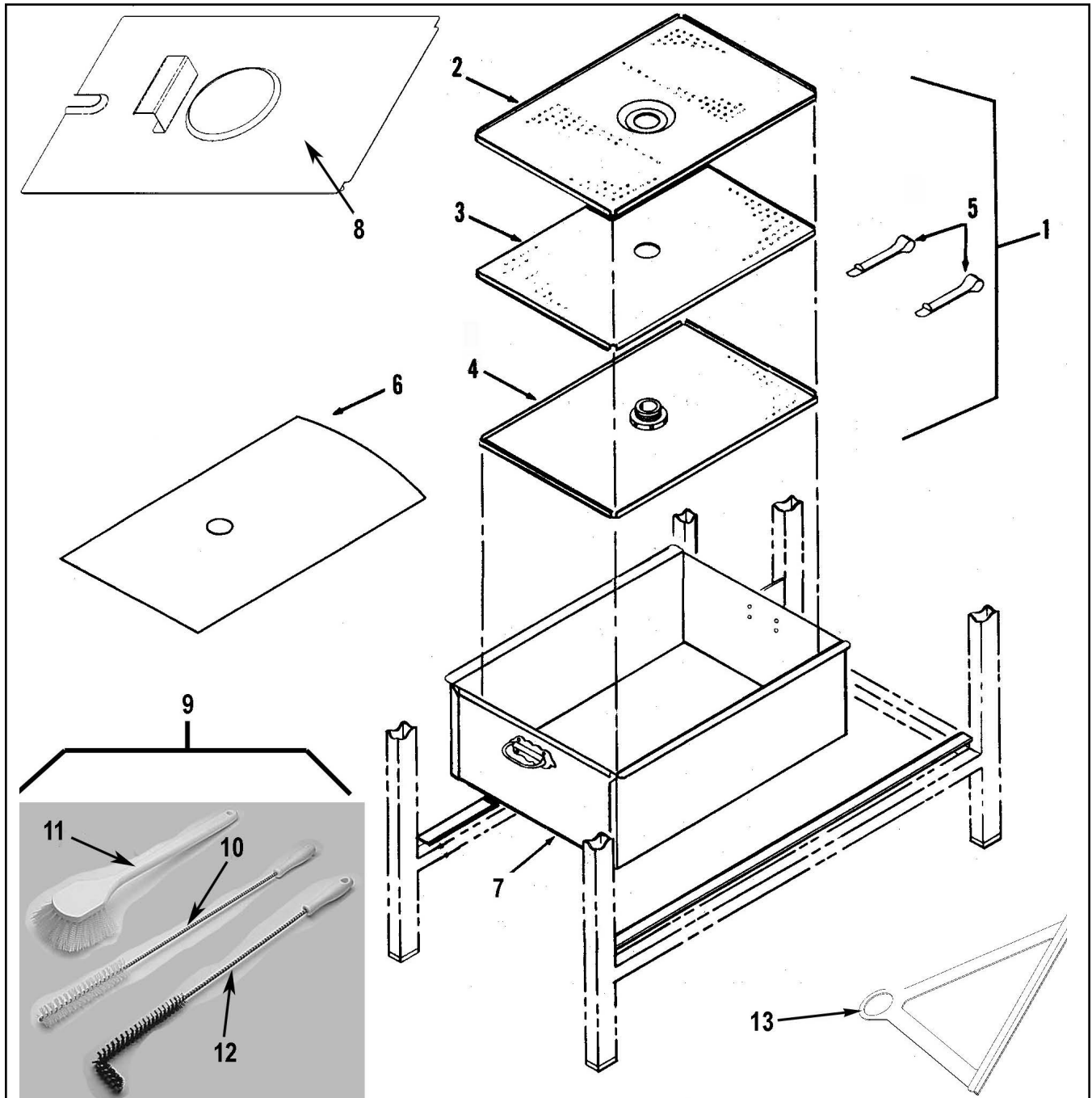


Figure 3-22. Filter Drain Pan and Filter Screen Assembly

FIGURE & ITEM NO.	PART NUMBER	DESCRIPTION	UNITS PER ASSY
3-22		FILTER DRAIN PAN AND FILTER SCREEN ASSEMBLY	
1	14671	KIT, GM Filter Screens- See chart on next page	1
1	14672	KIT, Wendy's Filter Screens- See chart on next page	1
2	65211	CATCHER, Crumb - SS	1
3	NLA	SCREEN, Top Filter	1
4	use 14671 or 14672	SCREEN, Bottom Filter(SN: AA0503097 & below-500/561) (SN: AN0503086 & below-600)	1
4	65447	SCREEN, Bottom Filter - SS (SN: AA0503098 & above-500/561) (also see #16 below) (SN: AN0503087 & above-600)	1
5	17505	CLIPS, Filter Envelope	2
√ 6	12102	FILTER, Envelope Paper (100 per carton)	1
√ 6	24262	CARBON PAD, Filter Envelope (30 per carton)	1
√ 6	24263	CARBON, Filter Envelope (30 per carton)	1
7		PAN, Filter Drain Assembly- See chart on next page	1
7	23499	PAN, Filter Drain Assy. (CFA- SN: JB095JA to HB013JB) ..	1
8		COVER, Filter Drain Pan- See chart on next page	1
8	32627	COVER, Filter Drain Pan-Malyasia	1
8	69294	COVER, Storage - PFE-500	1
8	69296	COVER, Storage - PFG-600	1
8		KIT, Cover/Drain Extension- See chart on next page	1
√ 9	14461	KIT, Brush Set	1
10	12112	BRUSH, Straight White	1
11	12116	BRUSH, Fryer - Gong - Long Handle.....	1
12	12126	BRUSH, Black L Tipped	1
13	63102	Sealer Bar - Wendy's	1
13	62116	Sealer Bar - Gen. Market.....	1
14*		FILTER PAN DOLLY- See chart on next page	1
15*	14895	KIT - SPCL SHORT FLTR KFC/FALCON	1
16*	65208	NUT - FILTER - FEMALE (Use with item 4 above).....	1

√ Recommended Parts
 *not shown
 NLA - No Longer Available

Filter Screen Kits

	65211	65447	17505	65208	63102
14671-GM	1	1	2	1	-
14672-Wendy's	-	1	-	1	1

Standard Filter Pan & Cover Assys.

SN	Description	500	561	600
KB020JJ & Below	Pan Cover	18915	-	-
	Pan	19206	-	-
	Pan Dolly	03387	-	-
KB029JJ & Below	Pan Cover	-	18915	-
	Pan	-	19206	-
	Pan Dolly	-	03387	-
KA020JJ & Below	Pan Cover	-	-	17512
	Pan	-	-	17506
	Pan Dolly	-	-	03352
KB021JJ to BB016JA	Pan Cover	64024	-	-
	Pan	58848	-	-
	Pan Dolly	03389	-	-
	Cover/Drain Ext. Kit	14414		
KB030JJ to BB055JA	Pan Cover	-	64025	-
	Pan	-	63203	-
	Pan Dolly	-	03390	-
	Cover/Drain Ext. Kit		14414	
KA021JJ to BA026JA	Pan Cover	-	-	64023
	Pan	-	-	58848
	Pan Dolly	-	-	03389
BB017JA to HB013JB	Pan Cover	64021	-	-
	Pan	64014	-	-
	Pan Dolly	03391	-	-
	Cover/Drain Ext. Kit	14415		
BB056JA to HB016JB	Pan Cover	-	64022	-
	Pan	-	64015	-
	Pan Dolly	-	03392	-
	Cover/Drain Ext. Kit		14415	
BA027JA to GA085JB	Pan Cover	-	-	64020
	Pan	-	-	64014
	Pan Dolly	-	-	03391
HB014JB & Above	Pan Cover	68065	-	-
	Pan	24702	-	-
	Pan Dolly	03343	-	-
HB017JB & Above	Pan Cover	-	68065	-
	Pan	-	24702	-
	Pan Dolly	-	03343	-
GA086JB & Above	Pan Cover	-	-	68066
	Pan	-	-	17506
	Pan Dolly	-	-	03352

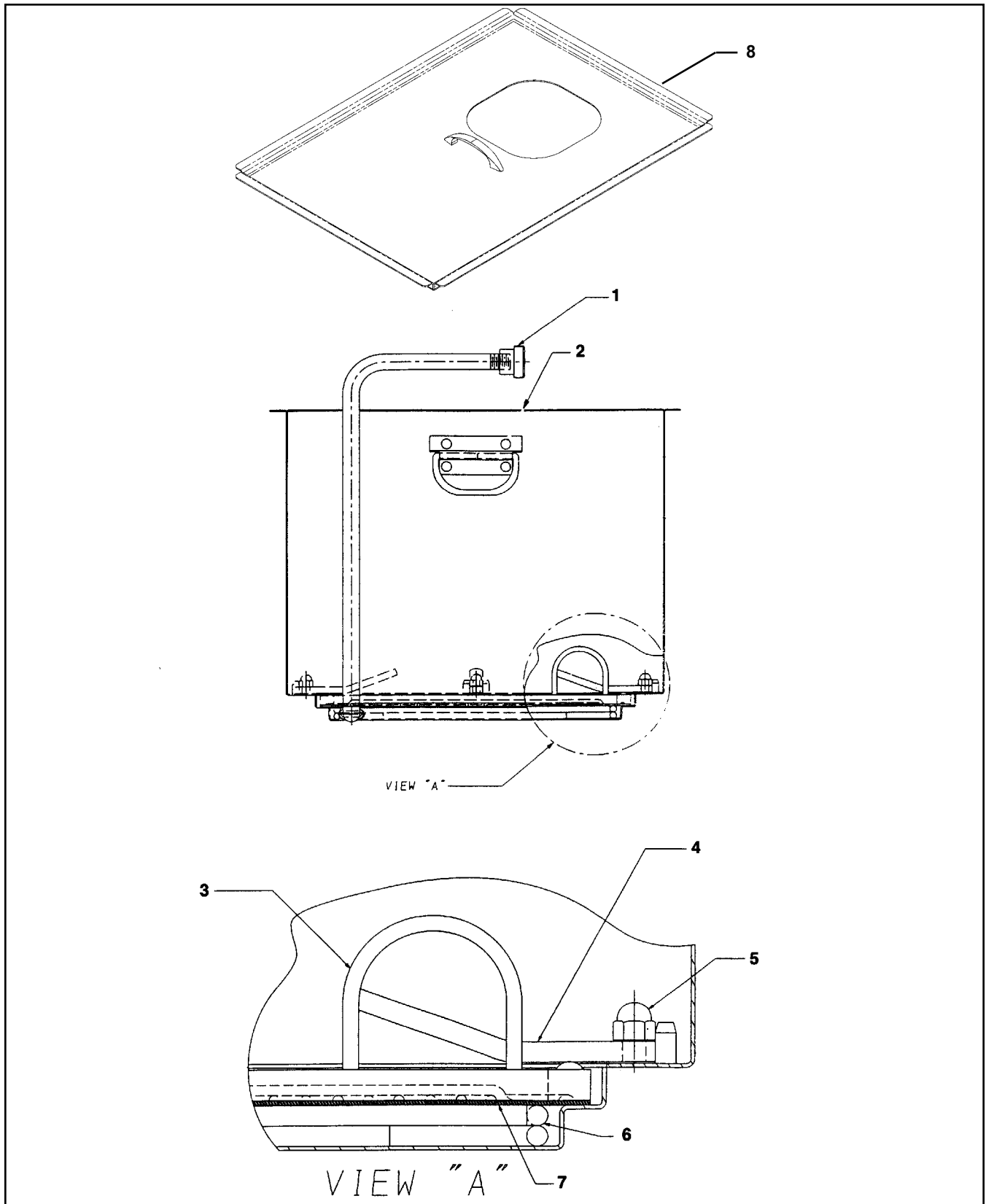


Figure 3-23. Supersorb Filter Assembly - Before 3-1-02

FIGURE & ITEM NO.	PART NUMBER	DESCRIPTION	UNITS PER ASSY
3-23		Supersorb Filter Assembly - Before 3-1-02	
√ 1	17430(use 69289)	UNION, Female Fitting.....	1
2		FILTER PAN ASSEMBLY -See chart below	1
3	70561	FILTER CLAMP RING w/Screw	1
4	36596	HANDLE, Filter Lock.....	4
5	NS03-023	NUT, 1/4-20 Acorn Cap	4
6	30944	SUPPORT, Filter Pad	1
√ 7	12186	CHARCOAL FILTER PAD	1
8		COVER - FILTER PAN ASSY-See chart below.....	1
9*		FILTER PAN DOLLY (4 & 6 hd)-See chart below	1
10*	19004	Casters	4

√ Recommended Parts / *not shown

SN	Description	500	561	600
KB020JJ & Below	Pan Dolly	03388	-	-
	Pan Cover	54008	-	-
	Pan Assy	140028	-	-
KB029JJ & Below	Pan Dolly	-	03388	-
	Pan Cover	-	54008	-
	Pan Assy	-	140028	-
KA020JJ & Below	Pan Dolly	-	-	03388
	Pan Cover	-	-	54538
	Pan Assy	-	-	140034
KB021JJ to BB016JA	Pan w/Casters	NLA	-	-
	Pan w/o Casters	140035	-	-
KB030JJ to BB055JA	Pan w/Casters	-	NLA	-
	Pan w/o Casters	-	140036	-
KA021JJ to BA026JA	Pan w/Casters	-	-	NLA
	Pan w/o Casters	-	-	140035
BB017JA to HB013JB	Pan w/Casters	NLA	-	-
	Pan w/o Casters	140037	-	-
BB056JA to HB016JB	Pan w/Casters	-	NLA	-
	Pan w/o Casters	-	140038	-
BA027JA to GA085JB	Pan w/Casters	-	-	NLA
	Pan w/o Casters	-	-	140037
HB014JB & Above	Pan Dolly	03343	-	-
	Pan Cover	24627	-	-
	Pan Assy	24702	-	-
HB017JB & Above	Pan Dolly	-	03343	-
	Pan Cover	-	24627	-
	Pan Assy	-	24702	-
GA086JB & Above	Pan Dolly	-	-	03352
	Pan Cover	-	-	68066
	Pan Assy	-	-	17506

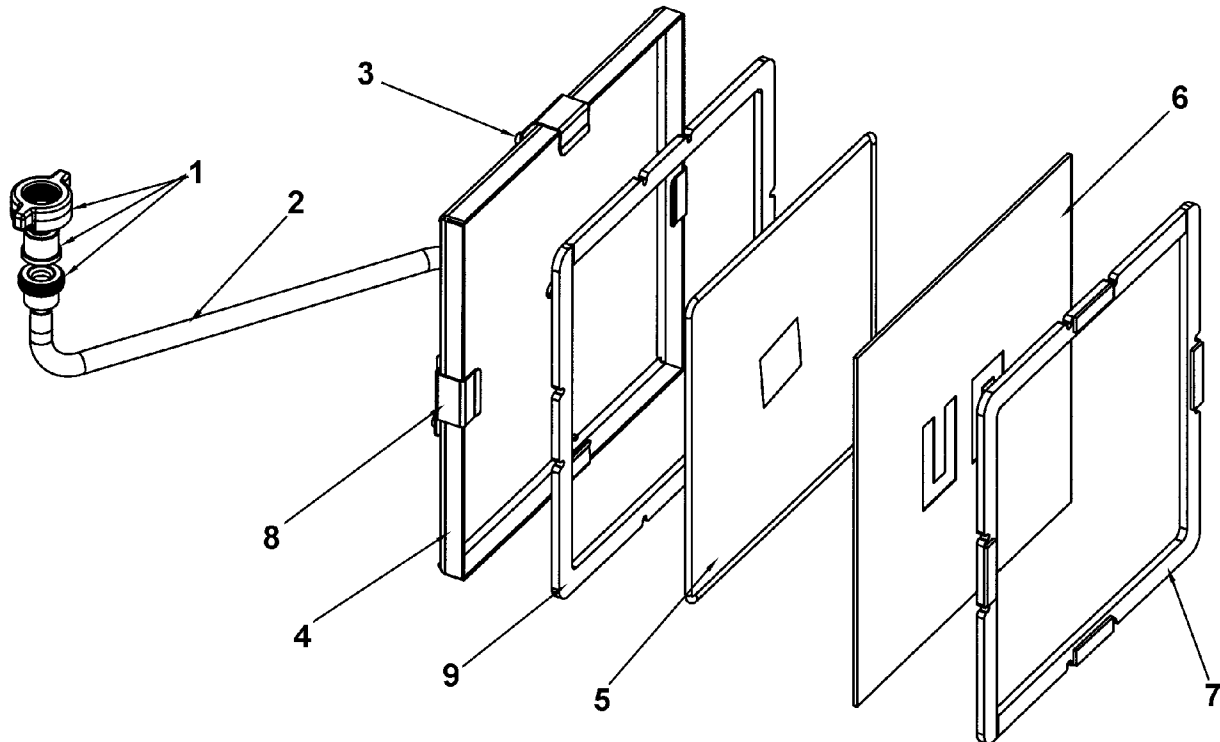
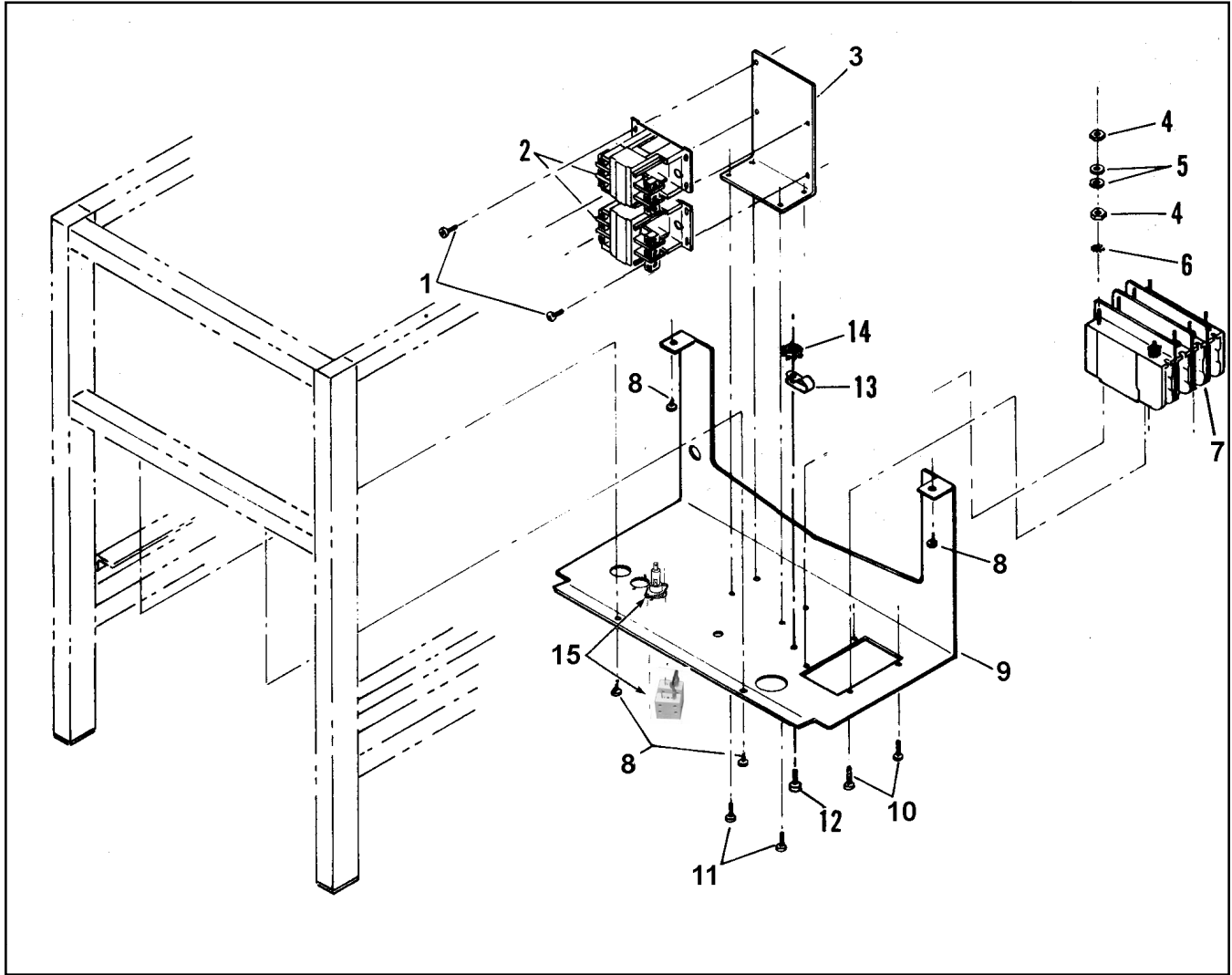


FIGURE & ITEM NO.	PART NUMBER	DESCRIPTION	UNITS PER ASSY
3-24		Supersorb Filter Assembly - 3-1-02 and After	
	14423	KIT, 500/561 Supersorb Assy (Includes 1, 2A, 3-7, 8B, & 9)	1
	14424	KIT, 600 Supersorb Assy (Includes 1, 2B, 3-7, 8B, & 9)	1
√ 1	69289	ASSY, Filter Union	1
2A	23951	TUBE D.U.to Filter-Electric	1
2B	24284	TUBE D.U.to Filter-Gas	1
3	SC01-249	SCREW, 8-32 x 3/16 TH SHOULDER	4
4	67948	WELD ASSY, Drain Filter	1
5	66202	WELD ASSY, Filter Section	1
6	12186	CHARCOAL FILTER PAD (carton of 30)	1
7	70585	FILTER CLAMP RING w/o Screw	1
8A	32851	CLIP, Drain Filter (SN: AN0507125 & below-600)	4
		(SN: AA0507115 & below-500/561-below SN: AB0508001)	
8B	67952	CLIP, Short Drain Filter (SN: AN0507126 & above-600)	4
		(SN: AA0507116 & above-500/561-SN: AB0508001 & above)	
9	70721	RING, Filter Retainer Whole (SN: AN0507126 & above-600)	1
		(SN: AA0507116 & above-500/561-SN: AB0508001 & above)	

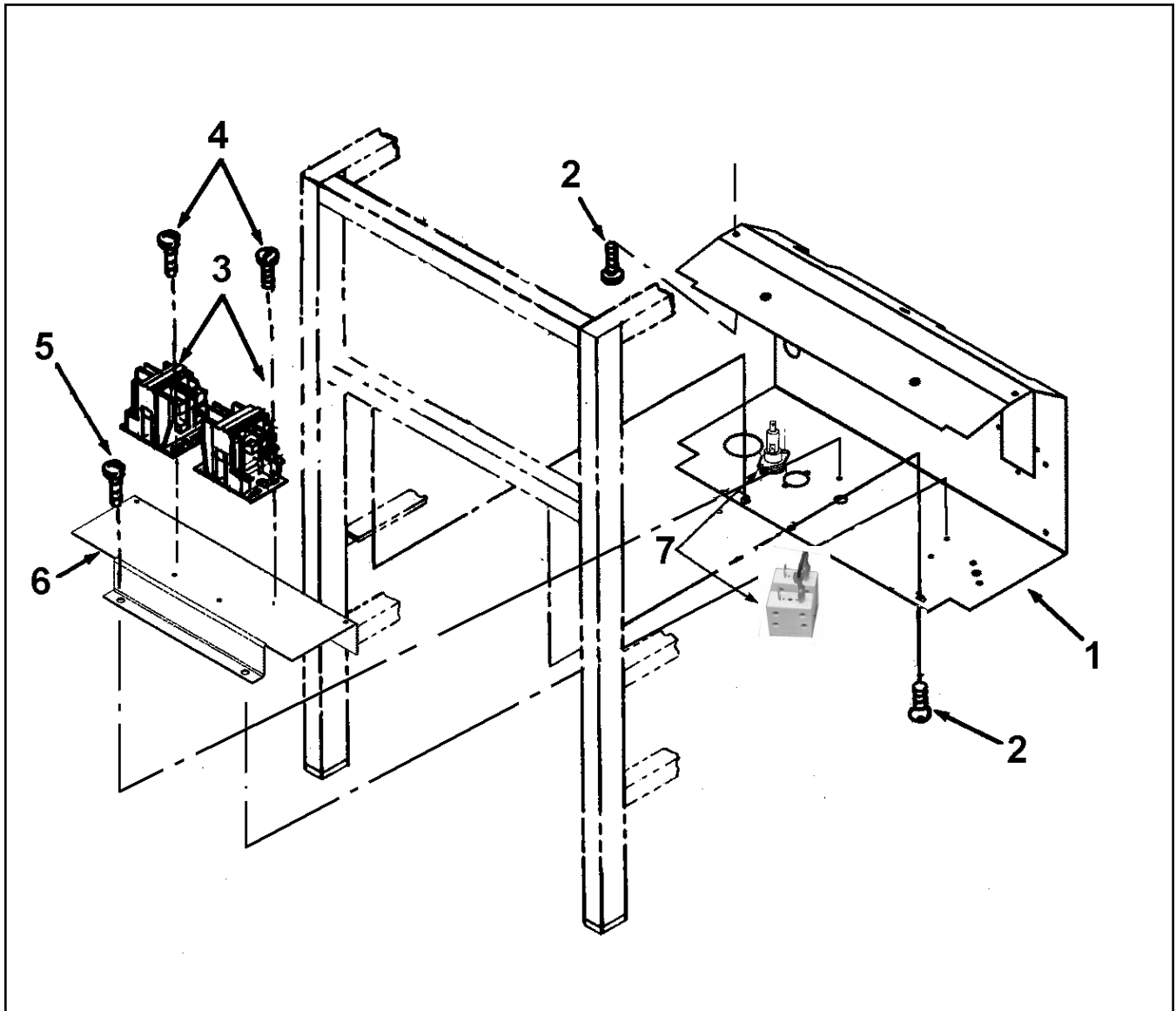
√ Recommended Parts



**Figure 3-25. Contactor and Frame Assembly
(Single Phase Electric Model)**

FIGURE & ITEM NO.	PART NUMBER	DESCRIPTION	UNITS PER ASSY
3-25		CONTACTOR AND FRAME ASSEMBLY, (Single Phase Electric Model)	
1	SC04-003	SCREW	4
√ 2	19405	CONTACTOR	2
2	29942	CONTACTOR, Mercury 208-240 VAC	1
		(Before SN: AA0909048 - 500 or AB0909007 - 561)	
√ 2	65075	CONTACTOR, E/M Heat - Non-CE - 240V	1
		(After SN: AA0909047 - 500 OR AB0909006 - 561)	
√ 2	65074	CONTACTOR - 230 Volt - CE	2
3	18243	BRACKET, Contactor	1
4	NS01-014	NUT, Hex	16
5	WA01-007	WASHER	16
6	LW02-005	LOCKWASHER	8
7	18242	BREAKER, CIRCUIT 50 amp	1
8	SC03-005	SCREW	4
9	18244	SHROUD, Single Phase (KB020JJ & below)	1
9	63226	SHROUD, Single Phase (KB021JJ to HB013JB)	1
9	27418	SHROUD, Single Phase (HB014JB & above)	1
10	SC01-072	SCREW	4
11	SC04-002	SCREW	4
12	SC01-010	SCREW	1
13	EF02-030	CAPILLARY CLAMP	1
14	NS02-005	NUT	1
√ 15	EF02-125	BREAKER, Push-Button Reset (10-23-06 & after)	2
√ 15	18364	ASSY, Fuse Holder - 15 Amp (before 10-23-06)	2
√ 15	EF02-007	FUSE, 15 Amp	2
√ 15	EF02-006	HOLDER, Fuse	2
16*	14033	KIT - 3 Phase to 1 Phase Conversion (KB020JJ & below) ...	1
16*	14677	KIT - 3 Phase to 1 Phase Conversion (KB021JJ to HB013JB)	1
16*	14882	KIT - 3 Phase to 1 Phase w/ Fuses (HB014JB to AA0611084)	1
16*	14678	KIT - 3 Phase to 1 Phase Conversion (AA0611085 & above)	1

√ Recommended Parts
*not shown



**Figure 3-26. Contactor and Frame Assembly
(Three Phase Electric Model)**

FIGURE & ITEM NO.	PART NUMBER	DESCRIPTION	UNITS PER ASSY
3-26		CONTACTOR AND FRAME ASSEMBLY (Three Phase Electric Model)	
1	18514	SHROUD, Three Phase (KB020JJ & below)	1
1	59233	SHROUD, Three Phase (KB021JJ to HB013JB)	1
1	65864	SHROUD, Three Phase - 500 (HB014JB & above)	1
1	65863	SHROUD, CE-Three Phase (HB014JB-AA0605138)	1
1	65269	SHROUD, Three Phase (AA0605139 & above)	1
1	24800	SHROUD, Three Phase - 561 (HB014JB & above)	1
2	SC03-005	SCREW, Shroud	4
√ 3	19405	CONTACTOR - 208-240 Volt	2
3	29942	CONTACTOR, Mercury 208-240 VAC..... (Before SN: AA0909048 - 500 or AB0909007 - 561)	1
√ 3	65075	CONTACTOR, E/M Heat - Non-CE - 240V	1
		(After SN: AA0909047 - 500 OR AB0909006 - 561)	
√ 3	65074	CONTACTOR - 230 Volt - CE	2
4	SC04-002	SCREW, Contactor	4
5	SC01-052	SCREW, 1/4-20 x 3/8 Hex Hd C	2
6	58850	BRACKET, Double Contactor (KB021JJ & Above).....	1
√ 7	EF02-125	BREAKER, Push-Button Reset (10-23-06 & after-domestic) (AA0809149 & after - CE)	2
√ 7	18364	ASSY, Fuse Holder - 15 Amp (before 10-23-06).....	2
√ 7	EF02-007	FUSE, 15 Amp	2
√ 7	EF02-006	HOLDER, Fuse.....	2
√ 7	EF02-105	FUSE, 15 Amp - CE (AA0605139 to AA0809148)	2
√ 7	EF02-104	HOLDER, Fuse - CE (AA0605139 to AA0809148)	2
8*	14034	KIT - 1 Phase to 3 Phase Conversion (KB020JJ & below) ...	1
8*	14679	KIT - 1 Phase to 3 Phase Conversion (KB021JJ to HB013JB)	1
8*	14883	KIT - 1 Phase to 3 Phase w/ Fuses (HB014JB to AA0611084)	1
8*	14680	KIT - 1 Phase to 3 Phase Conversion (AA0611085 & above)	1
8*	140068	KIT - 500 C8000 - 3 Phase to 1 Phase Conversion	1

√ Recommended Parts

*not shown

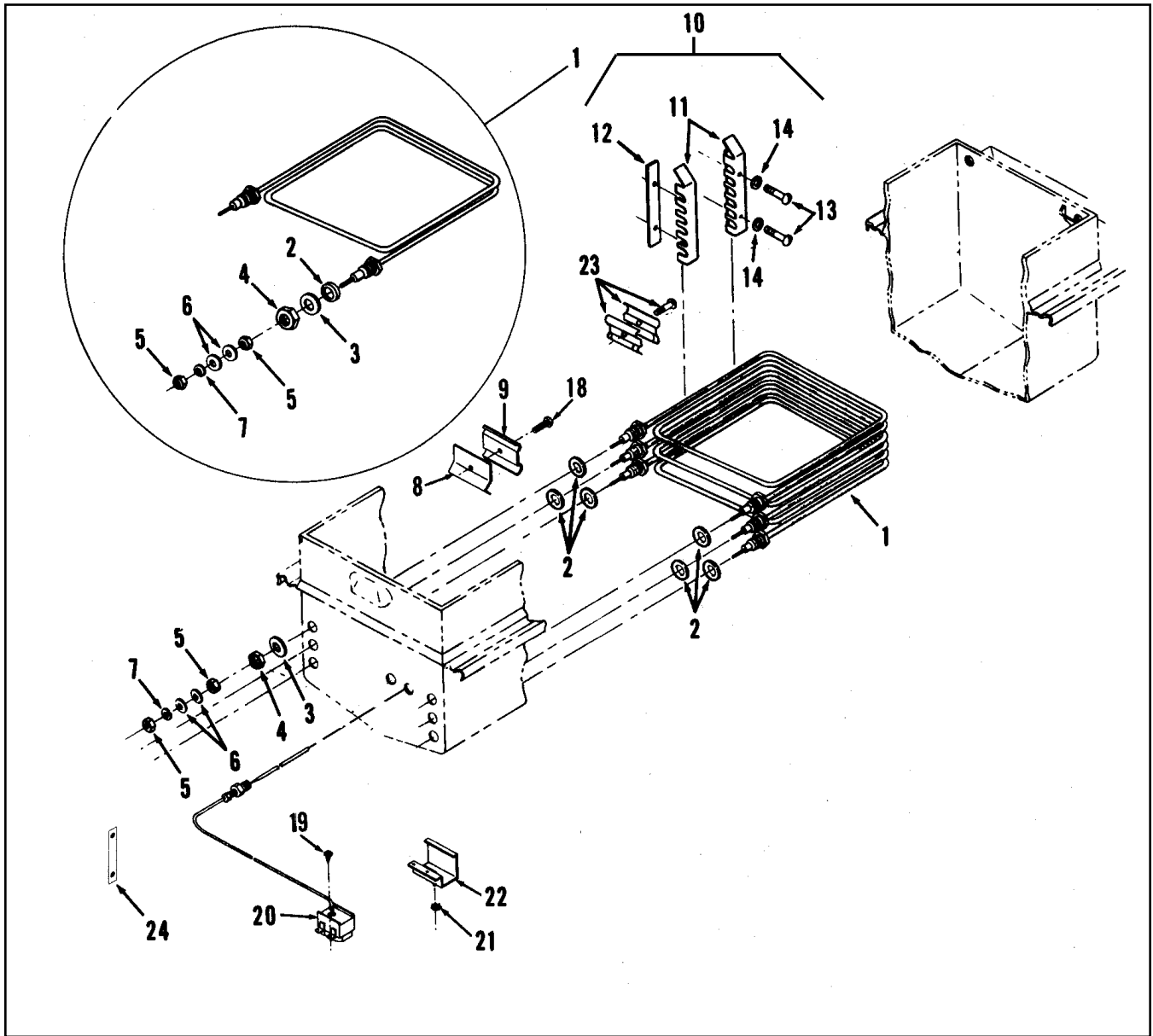


Figure 3-27. Heating Element and High Limit Assembly (Electric Model)

FIGURE & ITEM NO.	PART NUMBER	DESCRIPTION	UNITS PER ASSY
3-27		HEATING ELEMENT AND HIGH LIMIT ASSEMBLY, (Electric Model)	
√ 1	18233-1	ELEMENT COMPLETE, Heating 208 Volts, 4500 Watts	3
√ 1	44756	ELEMENT - 208V-13.5kw-561 (units w/Firebars only)	1
√ 1	18233-2	ELEMENT COMPLETE, Heating 230 Volts, 4500 Watts	3
√ 1	18233-5	ELEMENT COMPLETE, Heating 230 Volts, 3750 Watts	3
√ 1	18233-4	ELEMENT COMPLETE, Heating 208 Volts, 3750 Watts	3
√ 1	45268	ELEMENT - 240V-13.5kw-561 (units w/Firebars only)	1
√ 1	48169	ELEMENT - 220V-13.5kw-561 (units w/Firebars only)	1
√ 1	18233-6	ELEMENT COMPLETE, Heating 480 Volts, 3750 Watts	3
√ 1	48159	ELEMENT - 480V-13.5kw-561 (units w/Firebars only)	1
√ 1	18233-7	ELEMENT COMPLETE, Heating 480 Volts, 4500 Watts	3
2	16855	SEAL O-RING.....	6
3	WA01-005	WASHER, Heating Element, Metal.....	6
4	NS01-017	NUT, Heating Element, Brass.....	6
5	NS01-014	NUT, Heating Element.....	12
6	WA01-007	WASHER, Heating Element	12
7	LW01-008	WASHER, Lock, Heating Element	6
8	29295	HI Limit Bracket - Rear-561 (Firebars)	2
8	18720	CLAMP, Rear-Hi Limit.....	1
9	29297	HI Limit Bracket - Front-561 (Firebars)	2
9	18248	CLAMP, Front-Hi Limit.....	1
√ 10	14685	KIT, Spreader Module.....	4
11	18225	SPREADER, Element.....	4
12	18226	BAR, Spreader Lock	4
13	SC01-055	SCREW, Element Spreader (including Firebars).....	8
14	LW02-005	WASHER, Lock, Element Spreader.....	8
15*	44914	SPREADER, Element (inner) - 561 (Firebars).....	4
16*	44915	SPREADER Element (outer) - 561 (Firebars).....	4
17*	SC01-201	SCREW, Element Spreader-561 (Firebars).....	8
18	SC01-053	SCREW, 8-32 x 1/2 PH RD SS.....	2
19	SC02-018	SCREW, Thread Forming #8	2
√ 20	16738	CONTROL, Hi Limit Temperature.....	1
21	NS02-001	NUT, #10-32 Hex Keys.....	2
22	17216	BRACKET ASS'Y, Hi Limit Thermostat	1
23	18211	HOLDER, Thermostat Bulb.....	1
24	19604	BUSS BAR, 2-Hole	2
25*	63339	INSULATION, Pot Front-561.....	1

√ Recommended Parts/*not shown

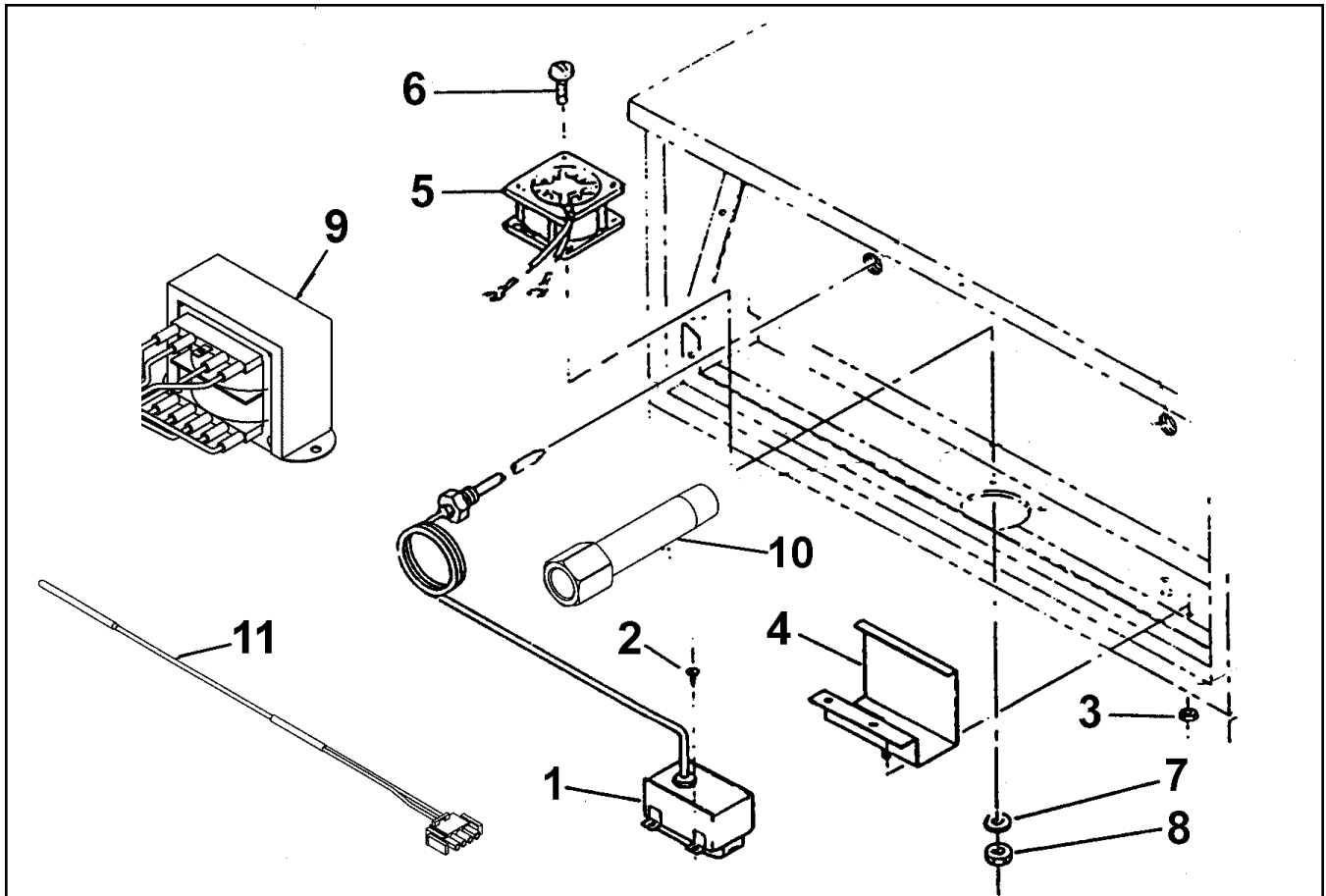


Figure 3-28. Fan and High Temperature Limit Control (Gas Model)

FIGURE & ITEM NO.	PART NUMBER	DESCRIPTION	UNITS PER ASSY
3-28		FAN AND HIGH TEMPERATURE LIMIT CONTROL (Gas Model)	
√ 1	16738	CONTROL, High Temperature Limit.....	1
√ 1	60241	CONTROL, High Temp. Limit-E.G.O.-CE and Australia..... SN: CA012JJ and above	1
√ 1	14267	KIT, High Limit - CE SN: CA011JJ and below.....	1
2	SC02-018	SCREW, Thread Forming #8	2
3	NS02-001	NUT, #10-32 Hex Keys	2
4	17216	BRACKET ASSY, High Limit Thermostat	1
√ 5	81208	FAN, 120 Volt	1
√ 5	16688	FAN, 240 Volt (SN: AN0810093 & Below)	1
√ 5	81117	FAN, 240 Volt (SN: AN0810094 & Above)	1
6	SC01-266	SCREW, Fan, 6-32 X1-3/4"	4
7	WA01-006	WASHER, Fan	4
8	NS02-005	NUT, Fan.....	4
√ 9	35916	TRANSFORMER, 120V-Pri./24V-Sec.....	1
√ 9	30614	TRANSFORMER, 208/240V-Pri./24V-Sec.....	1
10	51071	FITTING, Thermostat - SN: KA020JJ & Below.....	2
√ 11	68078	ASSY, FPS Temperature Probe (when applicable).....	1
12*	36097	PROBE GUARD	1

√ Recommended Parts

*not shown

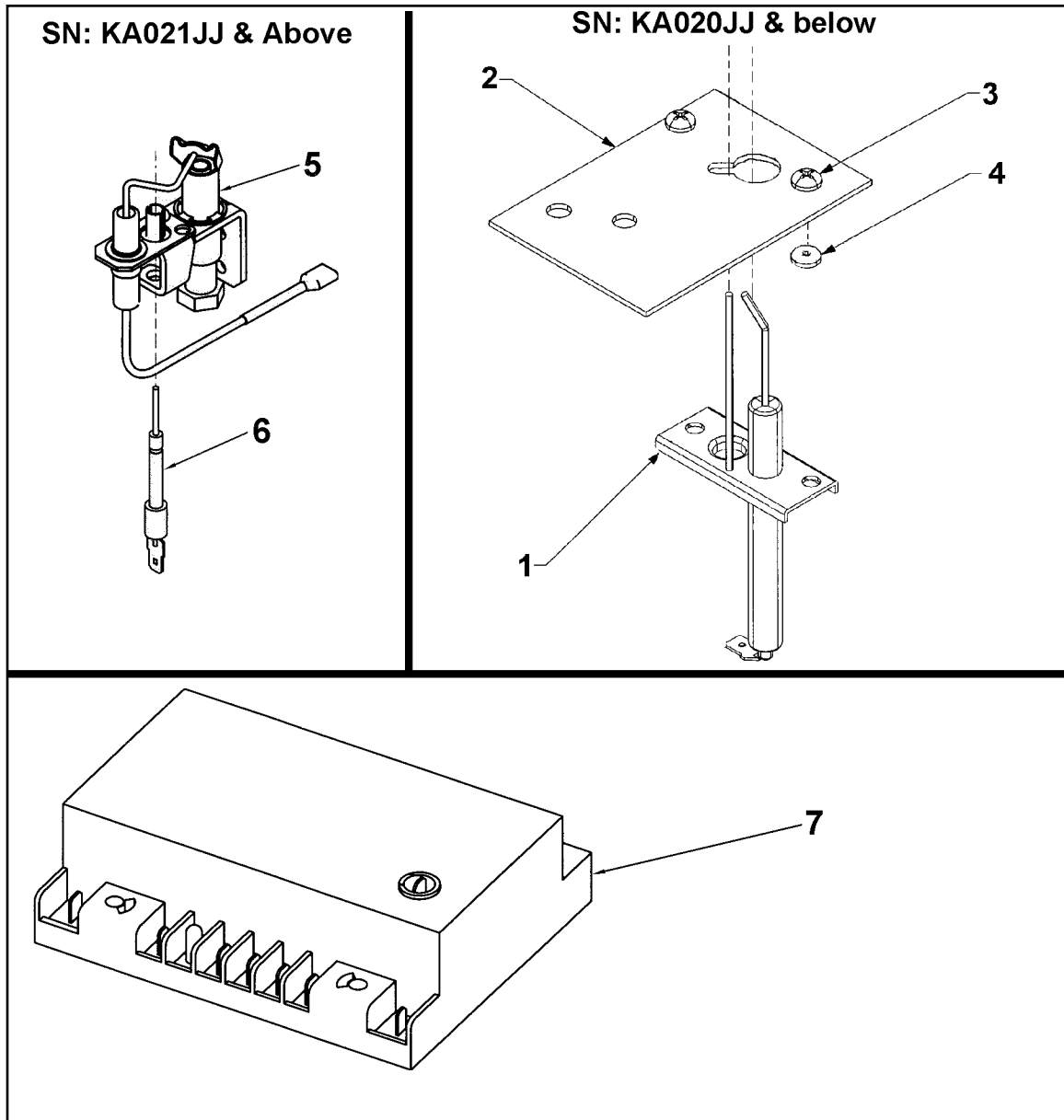


Figure 3-29. Electronic Ignition Assembly

FIGURE & ITEM NO.	PART NUMBER	DESCRIPTION	UNITS PER ASSY
3-29		ELECTRONIC IGNITION ASSEMBLY (only where applicable)	
√ 1	34380	ELECTRODE, Spark/Sense - SN: KA020JJ & below	1
2	34376	IGNITOR BRACKET - SN: KA020JJ & below	1
2	21522	IGNITOR BRACKET SN: KA021JJ & above.....	1
2	21325	IGNITOR BRACKET (Int'l) SN: KA020JJ & below	1
3	SC01-021	SCREW.....	2
3	SC01-076	SCREW (International) SN: KA020JJ & below	2
4	NS02-007	KEPS NUT.....	2
√ 5	79132-1	PILOT- PFG- 600 NATURAL (SN: AN1208071 & above)....	1
√ 5	140227	KIT- 600 NAT SSI PILOT ASSY (SN: KA021JJ-AN1208070)	1
√ 5	79132-2	PILOT- PFG- 600 LP (SN: AN1208071 & above).....	1
√ 5	14931	KIT, 600 SSI Pilot Assy-LP - SN: (SN: KA021JJ-AN1208070)	1
6	14899	KIT - 600 SENSOR FLM HARN FLM.....	1
√ 6	60292	SENSOR-FLAME, Pilot - SN: KA021JJ & above.....	1
√ 7	34384	IGNITION MODULE - SN: KA020JJ & below	1
√ 7	21318	IGNITION MODULE (Int'l) SN: KA020JJ & below	1
√ 7	14919	KIT-IGNITION MODULE-NON-CE-SN: KA021JJ to AN0711029	1
√ 7	77839	IGNITION MODULE-NON-CE-SN: AN0711030 & above	1
√ 7	14937	KIT-IGNITION MODULE -CE-SN: KA021JJ to AN0711029	1
√ 7	77602	IGNITION MODULE-CE - SN: AN0711030 & above....	1
√ 8*	21317	MOMENTARY RESET SWITCH SN: KA020JJ & below.....	1
9*	54472	POWER RELAY - 15A 120V.....	1
9*	56394	POWER RELAY - 10A 240V CE.....	1
10*	80854	BRACKET - IGNITION MODULE.....	1

√ Recommended Parts

*not shown

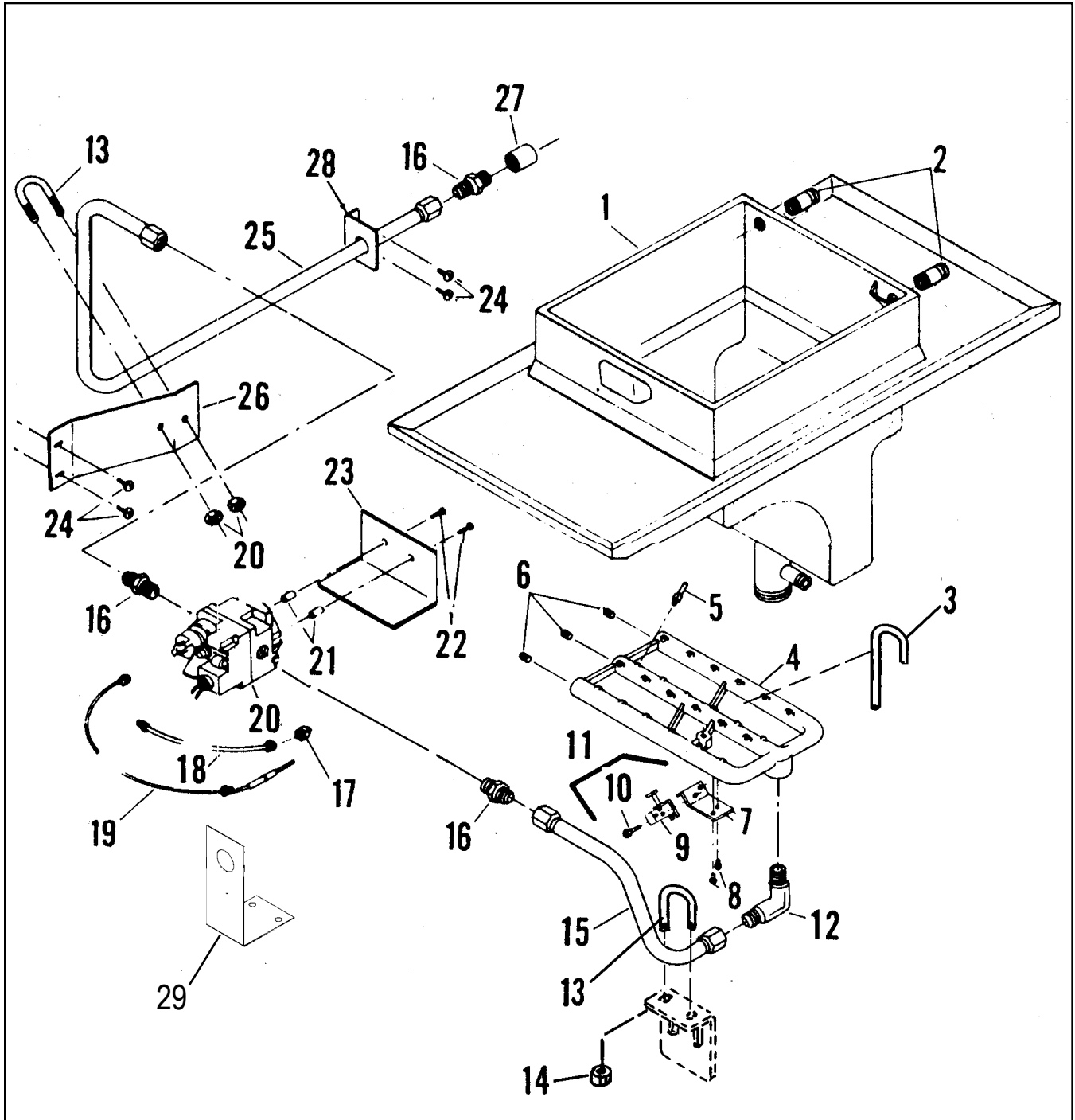


Figure 3-30. Frypot & Gas Burner Assy-Non-CE, Domestic, & Electronic Ignition

FIGURE & ITEM NO.	PART NUMBER	DESCRIPTION	UNITS PER ASSY
3-30		FRYPOT & GAS BURNER ASSY- NON-CE, DOMESTIC, AND ELECTRONIC IGNITION	
1	16889	TOP ASSY, Pot & Counter (SN: KA020JJ & below)	1
1	65007	TOP ASSY, Pot & Counter (SN: KA021JJ & above)	1
1	68568	TOP ASSY, Pot & Counter - FPS.....	1
1	65010	TOP ASSY, Pot & Counter-Pollo Campero (SN: KA021JJ & above).....	1
1	65011	TOP ASSY, Pot & Counter-CE(SN: KA021JJ & above; use 16889 prior).....	1
2	18816	NIPPLE, Pipe S.S.....	2
3	53834	J-BOLT, Burner Hold Down	1
4	16205	CASTING Burner	1
5	17013-1	SET, Orifice, Natural Gas.....	1
5	16561-1	ORIFICE, Natural Gas, S.S.....	1
5	16562-1	ORIFICE, Natural Gas, Brass	23
5	17013-3	SET, Orifice, Propane Gas.....	1
5	16561-3	ORIFICE, Propane Gas, S.S	1
5	16562-3	ORIFICE, Propane Gas, Brass.....	23
6	FP01-020	PLUG, Burner Casting	3
7	29969	BRACKET, Pilot Holder.....	1
8	SC01-184	SCREW, Pilot Holder Bracket	2
9	Use #11	PILOT & ORIFICE ASSEMBLY	1
10	SC01-047	SCREW, Pilot Holder.....	1
11	30904	PILOT & BRACKET ASSY, LP (SN AN0703021 & below).....	1
11	30913	PILOT & BRACKET ASSY, Nat (SN AN0703021 & below)	1
12	16336	ELBOW, Male.....	1
12	FP01-014	ELBOW 1/8" (SN: AN0901029 & Above).....	1
13	SC06-013	BOLT, U, Gas Line.....	2
14	NS02-002	NUT, Gas Supply Line Bolt.....	4
15	16333	LINE, Gas Burner to Control	1
15	67202	ASSY, Burner to Valve Tube - Solid State Ign.....	1
15	79239	ASSY, Burner to Valve Tube (SN: AN0901029 & Above).....	1
16	16335	NIPPLE, Close	3
17	29820	ORIFICE, Pilot, Natural Gas.....	1
17	32407	ORIFICE, Pilot, Propane Gas	1
18	69450	PILOT ASSEMBLY, Gas Tube	1
√ 19	16219	THERMOCOUPLE	1
√ 20	-----	VALVE, Gas Control - See Figure 3-32.....	1
21	16221	SPACER, Heat Shield	2
21	ME50-066	SPACER, Heat Shield (SN: AN0901029 & Above)	2
22	SC01-054	SCREW, Heat Shield.....	2
22	SC02-045	SCREW, Heat Shield (SN: AN0901029 & Above).....	2
23	58866	SHIELD, Heat, Aluminum (SN: KA020JJ & below)	1
23	67111	SHIELD, Valve Heat - SSI (SN: KA021JJ to SN:AN0901028)	1
23	79197	SHIELD, Valve Heat (SN: AN0901029 & Above)	1
24	SC02-006	SCREW, Bracket.....	4
25	40304	LINE, Gas Supply (SN: KA020JJ & below).....	1
25	16326	LINE, Gas Supply	1
26	16331	GAS LINE BRACKET	1
27	FP01-007	COUPLING, Pipe	1
28	16328	BRACKET, Gas Line.....	1
-	16329	Nut 37 Flare for 5/8 OD	2
-	16330	Sleeve 37 Flare for 5/8	2
29	24687	GUARD, Gas Valve Adjustment Screw	1
30*	14484	KIT, 3/4 in. x 5 ft. Gas Line w/quick-disconnect	1

√ Recommended Parts / * not shown

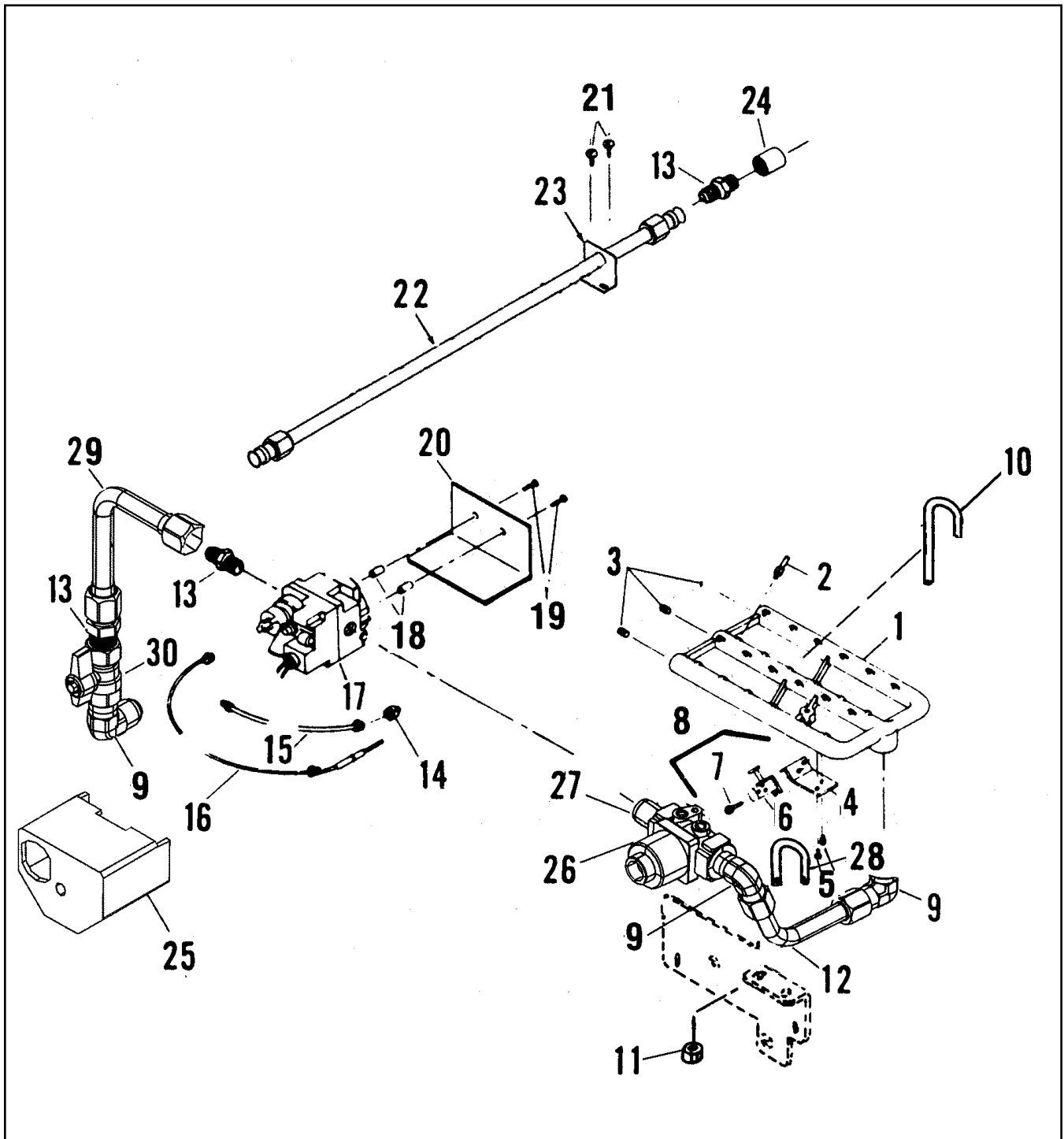
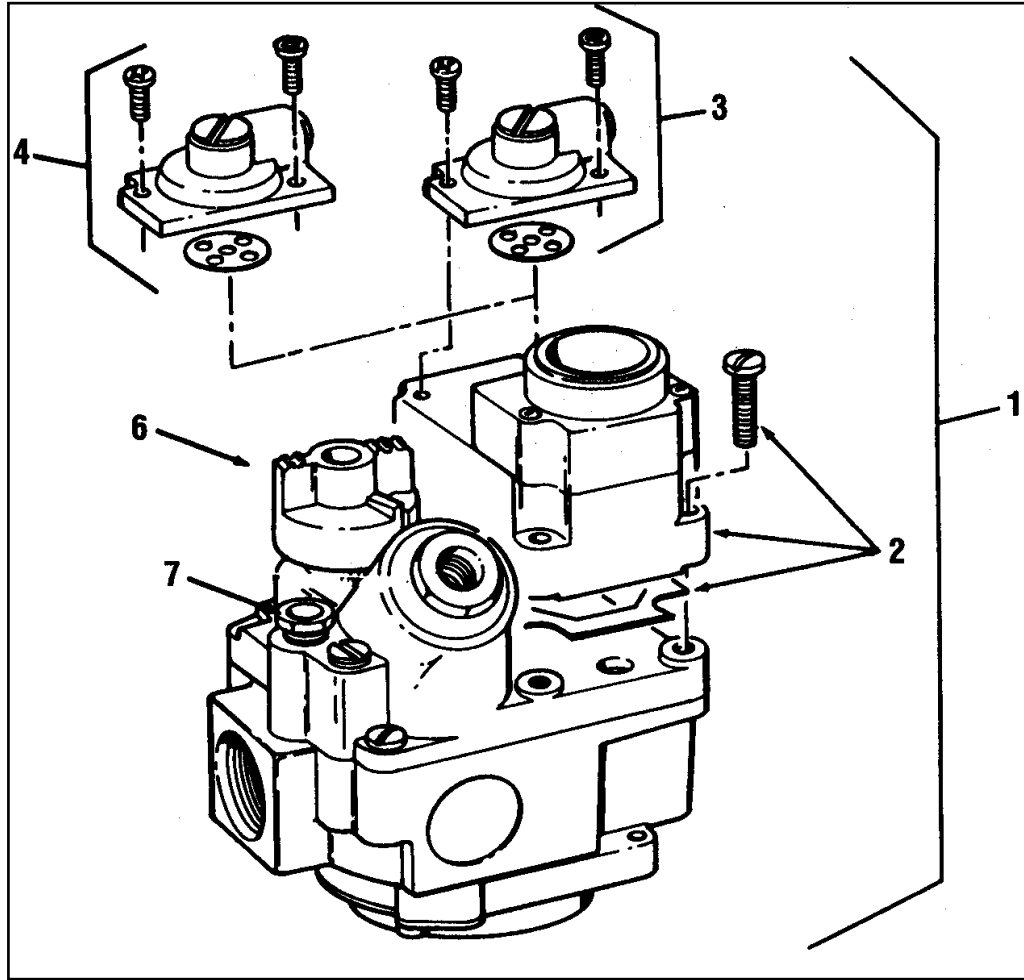


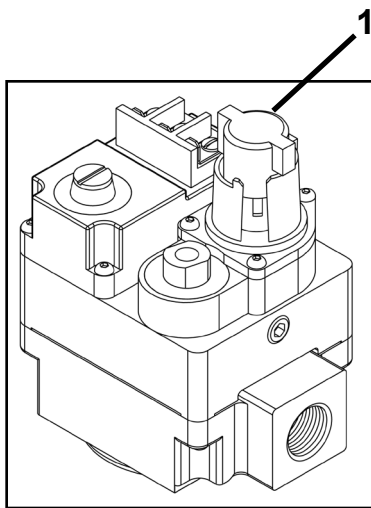
Figure 3-31. Gas Line and Burner Assembly - CE, Int'l, and Electronic Ignition

FIGURE & ITEM NO.	PART NUMBER	DESCRIPTION	UNITS PER ASSY
3-31		GAS LINE & BURNER ASSY-CE, INTERNATIONAL, & ELECTRONIC IGNITION	
1	16205	CASTING Burner	1
2	17013-1	SET, Orifice, Natural Gas	1
2	16561-1	ORIFICE, Natural Gas, S.S	1
2	16562-1	ORIFICE, Natural Gas, Brass	23
2	17013-3	SET, Orifice, Propane Gas	1
2	16561-3	ORIFICE, Propane Gas, S.S	1
2	16562-3	ORIFICE, Propane Gas, Brass	23
3	FP01-020	PLUG, Burner Casting	3
4	29969	BRACKET, Pilot Holder	1
5	SC01-184	SCREW, Pilot Holder Bracket	2
6	Use #8	PILOT & ORIFICE ASSEMBLY	1
7	SC01-047	SCREW, Pilot Holder	1
8	30904	PILOT & BRACKET ASSY, LP (SN AN0703021 & below)	1
8	30913	PILOT & BRACKET ASSY, Nat (SN AN0703021 & below)	1
9	16336	ELBOW, Male	1
10	53834	J-BOLT, Burner Hold Down	1
11	NS02-002	NUT, Gas Supply Line Bolt	4
12	38464	LINE, Gas Burner to Control	1
13	16335	NIPPLE Close	2
14	29820	ORIFICE, Pilot, Natural Gas	1
14	32407	ORIFICE, Pilot, Propane Gas	1
15	69450	PILOT ASSEMBLY, Gas Tube	1
√ 16	16219	THERMOCOUPLE	1
√ 16	34820	THERMOCOUPLE -CE	1
√ 17	-----	VALVE, Gas Control - See Figure 3-32	1
18	16221	SPACER, Heat Shield	2
19	SC01-054	SCREW, Heat Shield	2
20	16222	SHIELD, Heat, Aluminum	1
21	SC02-006	SCREW, Bracket	4
22	51429	LINE, Gas Supply-CE and Australia	1
23	16328	BRACKET, Gas Line	1
24	FP01-007	COUPLING, Pipe	1
25	56229	WIRE COVER, Gas control valve - CE	1
√ 26	38446	SOLENOID, Gas - 120V	1
√ 26	38467	SOLENOID, Gas - 240V	1
√ 26	38468	SOLENOID, Gas - 24V	1
√ 26	34801	SOLENOID, Gas - 240V - CE and Australia	1
√ 26	34802	SOLENOID, Gas - 24V - CE and Australia	1
27	FP02-062	NIPPLE, 1/2 NPT x 1.75L BI	1
28	SC06-013	BOLT U, Gas Line	1
29	51428	TUBE, Gas Valve Supply	1
30	45401	VALVE, 1/2 Gas Ball	1
31*	FP01-014	ELBOW, 1/8 inch - Z	1
32*	FP01-200	FITTING - Gas Inlet BSPT	1
33*	16355	NIPPLE, PRESSURE TEST	1

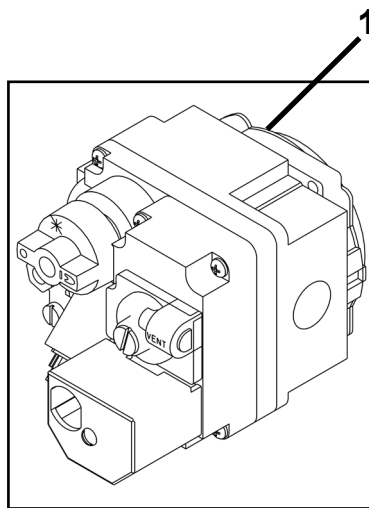
√ Recommended Parts/*not shown



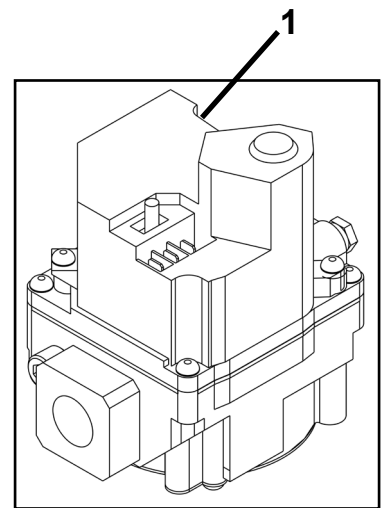
Style 1



Style 2



Style 3



Style 4

Figure 3-32. Gas Control Valve

FIGURE & ITEM NO.	PART NUMBER	DESCRIPTION	UNITS PER ASSY
3-32		GAS CONTROL VALVE	
√ 1	-----	VALVE, Gas Control - See Table 1 Below	1
√ 2	16254	ACTUATOR, Gas Control Valve, 120 Volt, Natural	1
2	16710	ACTUATOR, Gas Control Valve, 208-240 Volt, Natural.....	1
√ 2	16386	ACTUATOR, Gas Control Valve, 120 Volt, Propane.....	1
√ 2	16384	ACTUATOR, Gas Control Valve, 208-240 Volt, Propane.....	1
√ 3	16253	REGULATOR, Gas Control Valve, Natural Gas.....	1
√ 4	16352	REGULATOR, Gas Control Valve, Propane Gas.....	1
√ 6	16267	KNOB, Gas Control Valve	1
√ 7	16373	FITTING, Compression - Pilot Tube.....	2
8*	16247	KIT, Nat. to LP Conversion - See Table 2 Below	1
8*	16248	KIT, LP to Nat. Conversion - See Table 2 Below	1
8*	14324	KIT, Nat. to LP Conversion - See Table 2 Below	1
8*	14325	KIT, LP to Nat. Conversion - See Table 2 Below	1
8*	14723	KIT, 600SSI - Nat. to LP Conversion-SN: KA021JJ & above.....	1
8*	14724	KIT, 600SSI - LP. to Nat. Conversion-SN: KA021JJ & above	1

√ Recommended Parts / *not shown

Table 1

Voltage	Nat. Electronic Ign.	LP Electronic Ign.	Nat. Std. Ign.	LP Std. Ign.	Town Gas
120V	†34439 (SN: KA020JJ and Below)	-----	†16216	†16217	Use 16262 and 16254
240V	-----	†21316	†16380	†16381	†16262
24V	◇140043 (SN: KA021JJ to AN0901028)	◇140043 (SN: KA021JJ to AN0901028)	#29614 (SN: KA020JJ and Below)	#29728 (SN: KA020JJ and Below)	-----
24V	◇80761 (SN: AN0901029 and Above)	◇80858 (SN: AN0901029 And Above)	‡58863 (SN: KA021JJ and Above)	‡64036 (SN: KA021JJ and Above)	-----
24V/50Hz	-----	-----	#34806	#34805	-----
240V/50Hz	-----	-----	#34804	#34803	-----

† - Style 1, Integral lead wires

‡ - Style 2, 3 screw terminals

- Style 3, 2 screw terminals and/or cover

◇ - Style 4, 3 spade terminals and ON/OFF switch

NOTE: Part # 16216 and 16380 consist of items 2 and 3 and part # 16217 and 16381 consist of items 2 and 4.

Table 2

SERIAL NUMBER	(Pilot lit Manually)	(Pilot lit Manually)
	Std. USA 120V/60Hz Power	Std. European & Non-Std. Power
KA020JJ & Below	16247 & 16248	16247 & 16248
KA021JJ & Above	14324 & 14325	16247 & 16248

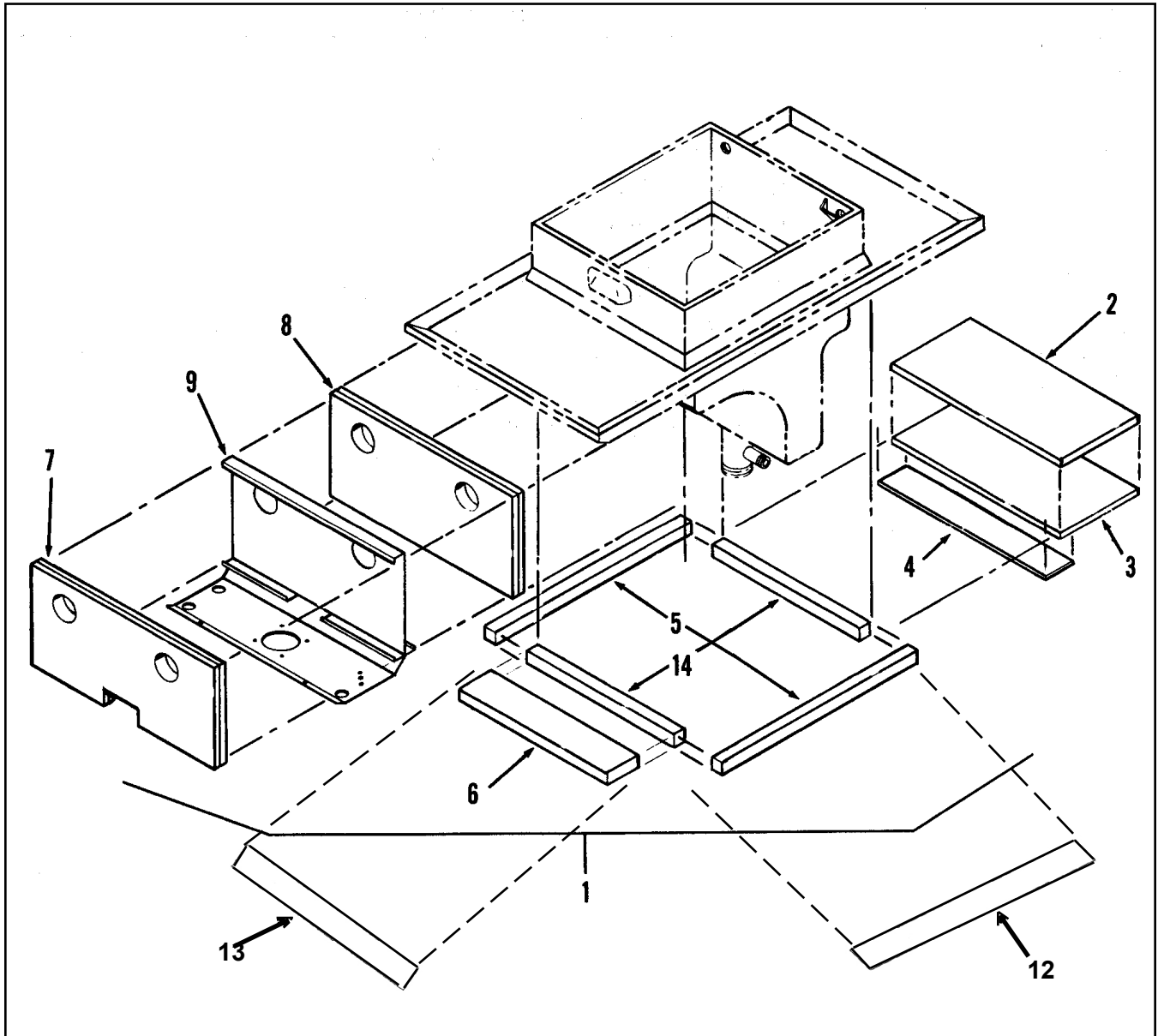


Figure 3-33. Countertop Insulation Assembly (Gas Model)

FIGURE & ITEM NO.	PART NUMBER	DESCRIPTION	UNITS PER ASSY
3-33		COUNTERTOP INSULATION ASSY (Gas Model)	
1	14698	KIT, Complete Set - SN: KA021JJ & Above.....	1
1	16518	INSULATION, Complete Set - SN: 35886 to KA020JJ.....	1
1	16310	INSULATION, Complete Set - SN: 35885 and Below (Includes Part Nos. 16505,17605,16872, MS01-180, Bulk Cerefelt Insulation For Around Thermocouple, Pot Fittings, and Glue.)	1
1	14211	INSULATION, Complete Set-CE and Australia	1
2	63301	INSULATION, Fiberglass	1
2	63326	INSULATION-CE and Australia	2
3	63302	INSULATION, Cerefelt - Flue Top	1
3	63326	INSULATION, Cerefelt - Flue Top - CE	1
4	16308	BOARD, Aircell	1
4	54862	BOARD, Aircell-CE and Australia.....	1
5	53807	INSULATION, Countertop-sides	2
6	16303	INSULATION, Fiberglass	1
7	63699	INSULATION, Fiberglass Notched	2
7	68070	ASSY, Front Panel Insulation - SSI/FPS	1
8	63623	INSULATION, Heat Shield, Inner.....	1
9	59232	HEAT SHIELD	1
10*	53802	HEAT SHIELD, Middle-CE & Australia (SN:AN0810093 and Below).....	1
11*	80861	HEAT SHIELD-CE & Australia (SN:AN0810094 & Up)....	1
11*	85512	HEAT SHIELD-240V SSI/FPS (SN:AN0810093 & Below)	1
11*	85518	HEAT SHIELD-240V SSI/FPS (SN:AN0810094 & Up).....	1
12	59965	INSULATION, Countertop Side.....	2
13	59966	INSULATION, Countertop Front.....	1
14	53808	INSULATION, Countertop-Front/Rear	2

* not shown

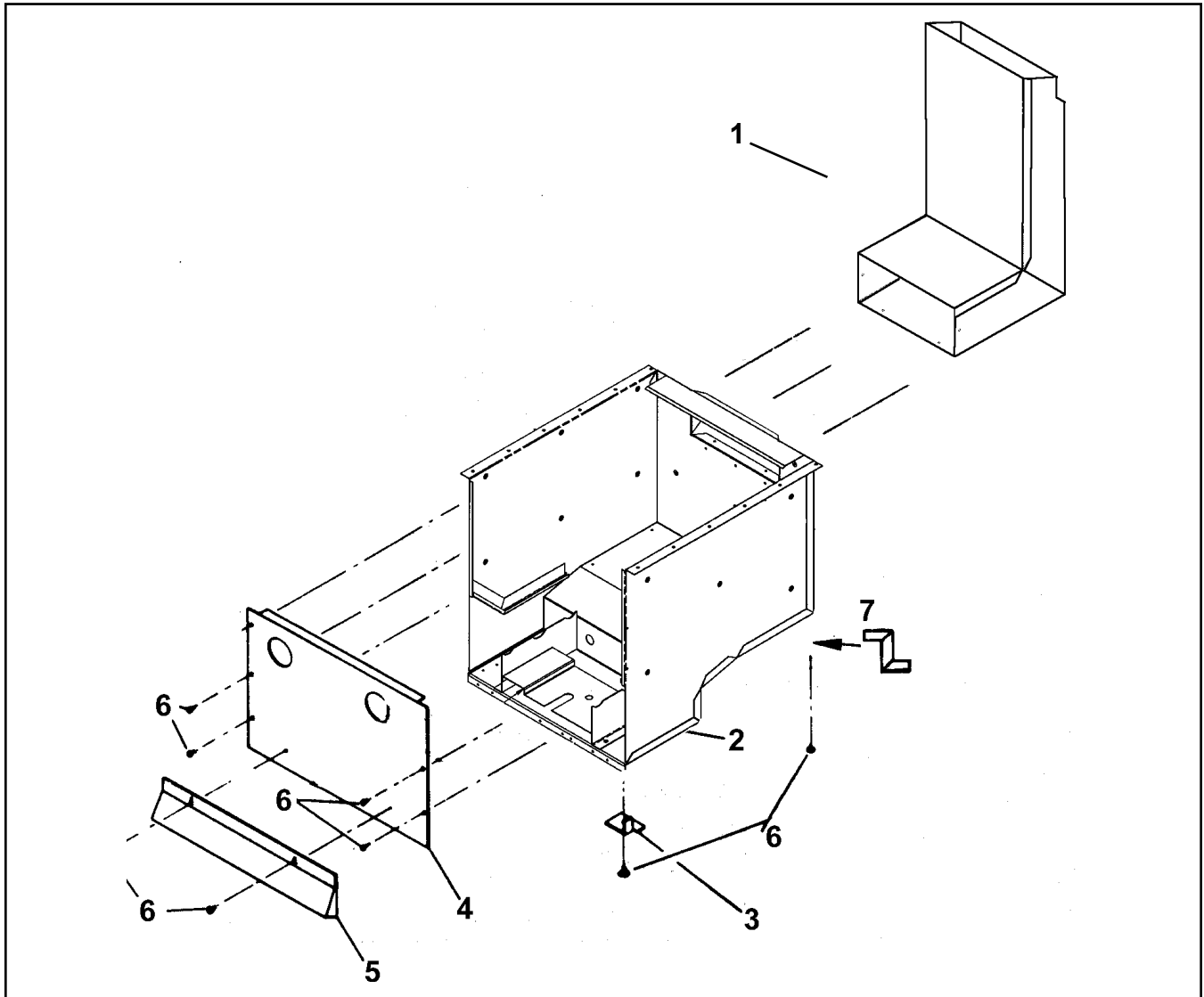


Figure 3-34. Firebox and Flue Assembly (Gas Model)

FIGURE & ITEM NO.	PART NUMBER	DESCRIPTION	UNITS PER ASSY
3-34		FIREBOX AND FLUE ASSEMBLY (Gas Model)	
1	59728	STACK, Flue Exhaust - SN: KA021JJ & Above.....	1
1	54865	STACK, Flue Exhaust - SN: KA020JJ & Below.....	1
2	59223	CABINET ASSEMBLY, Firebox - SN: KA021JJ & Above	1
2	29679	CABINET ASSEMBLY, Firebox - SN: KA020JJ & Below	1
3	18625	BRACKET, Side Panel Insulation	2
4	87448	PANEL, Firebox Front	1
5	16406	DEFLECTOR, Heat Shield	1
6	SC03-005	SCREW, Sheet Metal	20
7	18626	BRACKET, Side Panel Insulation, Rear	2
8	63330*	FIREBOX ASSY, w/Insul-Japan-(SN: AN0902073 & Below)	1
8	63311*	FIREBOX ASSY, w/Insul-Japan-(SN: AN0902074 & Above)	1
8	63331*	FIREBOX ASSEMBLY, w/Insulation - CE and Australia.....	1
9	30857*	FRONT PANEL INSULATION ASSEMBLY (Export only)	1
10	53812*	INSULATION, Front Bracket, Firebox - CE and Australia...	2
11	53814*	INSULATION, Leg - CE and Australia	1
12	53816*	INSULATION, Outer Rear Firebox - CE and Australia.....	1
13	24239*	INSULATION, Outer Firebox, Side - CE and Australia	1

* not shown

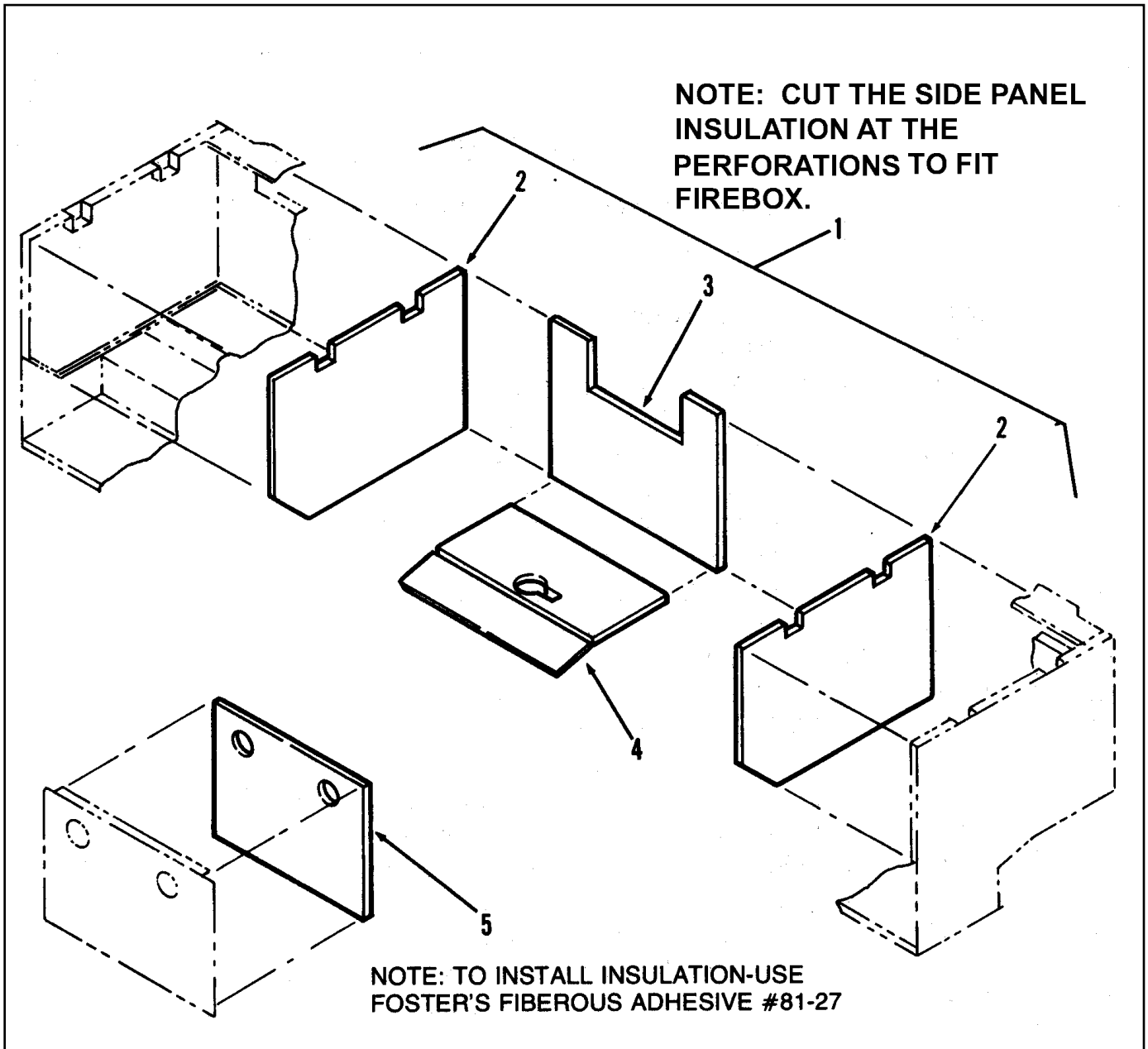


Figure 3-35. Firebox Insulation Assembly (Gas Model)

FIGURE & ITEM NO.	PART NUMBER	DESCRIPTION	UNITS PER ASSY
3-35		FIREBOX INSULATION ASSY (Gas Model)	
1	16505	INSULATION, Firebox - Complete Set Cerefelt, Inside Firebox	1
2	63111	INSULATION, Side Panel , Cerefelt	2
3	16502	INSULATION, Back Panel, Cerefelt	1
4	16503	INSULATION, Bottom Panel, Cerefelt	1
5	29690	INSULATION, Front Panel, Cerefelt	1
6	24238*	INSULATION, Countertop, Sides - Japan - (SN: AN0902074 & Up).....	2

* not shown

FIGURE & ITEM NO.	PART NUMBER	DESCRIPTION	UNITS PER ASSY
None		PFE-500 KFC SMS & NON-SMS CONTROLS & SPARE PARTS	
1	16624	LIGHT, Indicator, red.....	1
2	28979	TRANSFORMER.....	1
3	29382	DECAL, Membrane, Switch.....	1
4	29887	CARD, Menu (rectangular).....	1
5	29898	SWITCH, Power.....	1
6	29901	ASSY - Capacitor/Resistor.....	1
7	30094	FITTING, Compression.....	1
8	30560	ASSY - Capacitor/Resistor.....	1
9	30971	ASSY - MOV.....	1
10	36210	BEEPER, Replaceable.....	1
11	43649	ASSY - Probe (Non-SMS).....	1
12	54085	LIGHT, Indicator - Green (CE).....	1
13	73799	ASSY - Probe, 3 inch (SMS).....	1
14	74865RB	ASSY - CONTROL-500 SMS Dom (8-18-06 & after) (Units with wiring diagram 24853, 24718 or 63211).....	1
14	73897RB	ASSY - CONTROL-500 SMS Dom (8-18-06 & after) (Units with wiring diagram 72860, 72831, or 71819).....	1
14	74864RB	ASSY - CONTROL-500 SMS Intl (8-18-06 & after) (Units with wiring diagram 24853, 24718 or 63211).....	1
14	73896RB	ASSY - CONTROL-500 SMS Intl (8-18-06 & after) (Units with wiring diagram 72860, 72831, or 71819).....	1
15	24513	CARD, Menu (long & narrow).....	1
16	51877	ASSY - Speaker and Wire.....	1
17	14789	KIT, SMS Conversion Dom. (SN: KA020JJ & Below) (Units with wiring diagram 24853, 24718 or 63211).....	1
17	14792	KIT, SMS Conversion Dom. (SN: KA020JJ & Below) (Units with wiring diagram 72860, 72831, or 71819).....	1
17	14795	KIT, SMS Conversion Dom. (SN: KA021JJ to BA026JA) (Units with wiring diagram 24853, 24718 or 63211).....	1
17	14799	KIT, SMS Conversion Dom.(SN: KA021JJ to BA026JA) (Units with wiring diagram 72860, 72831, or 71819).....	1
17	14801	KIT, SMS Conversion Dom. (SN: BA026JA GA085JB) (Units with wiring diagram 24853, 24718 or 63211).....	1
17	14804	KIT, SMS Conversion Dom. (SN: BA026JA GA085JB) (Units with wiring diagram 72860, 72831, or 71819).....	1
17	14819	KIT, SMS Conversion Int'l (SN: KA020JJ & Below) (Units with wiring diagram 24853, 24718 or 63211).....	1
17	14822	KIT, SMS Conversion Int'l (SN: KA020JJ & Below) (Units with wiring diagram 72860, 72831, or 71819).....	1
17	14825	KIT, SMS Conversion Int'l (SN: KA021JJ to BA026JA) (Units with wiring diagram 24853, 24718 or 63211).....	1
17	14828	KIT, SMS Conversion Int'l (SN: KA021JJ to BA026JA) (Units with wiring diagram 72860, 72831, or 71819).....	1
17	14831	KIT, SMS Conversion Int'l (SN: BA026JA GA085JB) (Units with wiring diagram 24853, 24718 or 63211).....	1
17	14834	KIT, SMS Conversion Int'l (SN: BA026JA GA085JB) (Units with wiring diagram 72860, 72831, or 71819).....	1

√ Recommended Parts/*not shown

FIGURE & ITEM NO.	PART NUMBER	DESCRIPTION	UNITS PER ASSY
None		PFG-600 KFC SMS & NON-SMS CONTROLS & SPARE PARTS	
1	14332	KIT - Temperature Probe (Non-SMS)	1
2	14428	KIT - 6 Inch Probe (600 SMS)	1
3	17365	LIGHT, Indicator	1
4	29887	CARD, Menu (rectangular)	1
5	29898	SWITCH, Power	1
6	29901	ASSY - Capacitor/Resistor	1
7	30094	FITTING, Compression	1
8	30978	TRANSFORMER	1
9	36097	FITTING, Protector, Pot	1
10	36210	BEEPER, Replaceable	1
11	51426	FILTER - EMC (CE)	1
12	54085	LIGHT, Indicator - Green (CE)	1
13	56528	DECAL, Membrane, Switch	1
14	71933	RELAY - 24V (CE)	1
15	ME90-009	RELAY - 240V (CE)	1
16	73889RB	ASSY - CONTROL-600 SMS Domestic (8-18-06 & after)	1
16	73888RB	ASSY - CONTROL-600 SMS International (8-18-06 & after)	1
17	24513	CARD, Menu (long & narrow)	1
18	51877	ASSY - Speaker & Wire	1
19	14807	KIT, SMS Conversion Dom. (SN: KA020JJ & Below)	1
19	14811	KIT, SMS Conversion Dom. (SN: KA021JJ to BA026JA)	1
19	14815	KIT, SMS Conversion Dom. (SN: BA027JA to GA085JB)	1
20	14837	KIT, SMS Conversion Int'l (SN: KA020JJ & Below) (Units with wiring diagram 29895)	1
20	14838	KIT, SMS Conversion Int'l (SN: KA020JJ & Below) (Units with wiring diagram 63748)	1
20	14839	KIT, SMS Conversion Int'l (SN: KA020JJ & Below) (Units with wiring diagram 29900)	1
20	14840	KIT, SMS Conversion Int'l (SN: KA020JJ & Below) (Units with wiring diagram 34809)	1
20	14841	KIT, SMS Conversion Int'l (SN: KA021JJ to BA026JA) (Units with wiring diagram 29895)	1
20	14842	KIT, SMS Conversion Int'l (SN: KA021JJ to BA026JA) (Units with wiring diagram 63748)	1
20	14843	KIT, SMS Conversion Int'l (SN: KA021JJ to BA026JA) (Units with wiring diagram 29900)	1
20	14844	KIT, SMS Conversion Int'l (SN: KA021JJ to BA026JA) (Units with wiring diagram 34809)	1
20	14845	KIT, SMS Conversion Int'l (SN: BA026JA GA085JB) (Units with wiring diagram 29895)	1
20	14846	KIT, SMS Conversion Int'l (SN: BA026JA GA085JB) (Units with wiring diagram 63748)	1
20	14847	KIT, SMS Conversion Int'l (SN: BA026JA GA085JB) (Units with wiring diagram 29900)	1
20	14848	KIT, SMS Conversion Int'l (SN: BA026JA GA085JB) (Units with wiring diagram 34809)	1
√ Recommended Parts/*not shown			